

BALDOR® • RELIANCE

Product Information Packet

ELECTRIC MOTOR WHOLESAL.COM

GC3326

.14/.1HP,1400RPM,1PH,50/60HZ,K-1,2528L

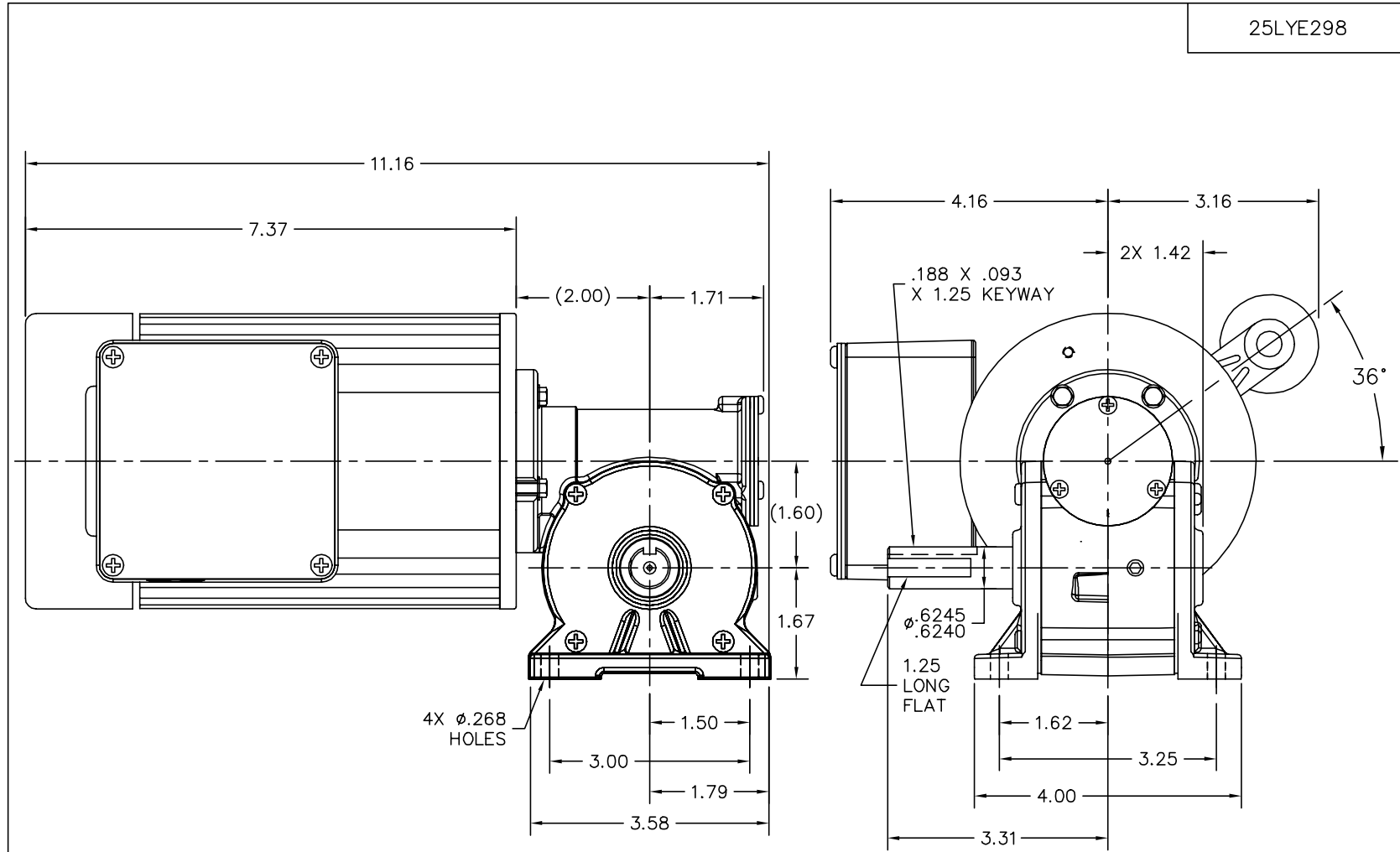
Part Detail							
Revision:	W	Status:	PRD/A	Change #:		Proprietary:	No
Type:	AC	Prod. Type:	2528L	Elec. Spec:	25WGW228	CD Diagram:	
Enclosure:	TEFC	Mfg Plant:		Mech. Spec:		Layout:	
Frame:	K	Mounting:		Poles:	04	Created Date:	
Base:		Rotation:	R	Insulation:	F	Eff. Date:	12-02-2010
Leads:	4#18	Literature:		Elec. Diagram:		Replaced By:	

Nameplate NP1416A01										
CAT.NO.	GC3326		SER.NO		DATE CODE					
SPEC.	25E298W228G4									
HP	.14//.17		VOLTS		110//115					
AMP	3.8//3.5		HZ		50//60					
PH	1		CAP		108		CODE	-	CLASS	F
SER.F.	1.00		SF AMP				AMB.	40		
DUTY	CONT		R.P.M.		35//42					
TORQ/IN LB	130		RATIO		40:1					
APRV-CE			APRV-CSA				APRV-UL			

Parts List		
Part Number	Description	Quantity
SA073753	SA 25E298W228G4	1.000 EA
RA067473	RA 25E298W228G4	1.000 EA
SR000641	SR 25E298W228G4	1.000 EA
RE1026	RELAY,4CR-3-670 (TI)	1.000 EA
EC1108A01	ELEC CAP, 108-130 MFD, 125V, 1.48D X 2.	1.000 EA
LC0017A03	TYPES SV, REV, 4 LD, CW, OPT T'STAT	1.000 EA
HA3170A07	THRUBOLT,FLAT HD. #8-32 THDS X 6.625 LON	2.000 EA
25EP2108A01G	ENDPLATE,25 DE AC RIGHT ANGLE	1.000 EA
HW5109A08	WASHER, WAVE SPRING FOR 30MM BORE SMALLE	1.000 EA
HW5002A45	RETAINING RING,WALDES TRUARC N5002-118	1.000 EA
HW4600E07	SEAL,TRANSCOM #05112ASCW .500 X 1.125 X	1.000 EA
25EP2101A18G	EP,25AC ODE CL NONE 0.500 SHAFT EXIT	1.000 EA
51XT0832G05	SCREW,HEX HD 8-32 X 5/16 GRN.	1.000 EA
25FH4006G	HOUSING,FAN FOR EXT. HOUSING W/NOTCH	1.000 EA
BFN3712	FAN,PM MOTOR STYLE R	1.000 EA
15XN1032A06	SCREW PAN HD 10-32 X 3/8 (PHILLIPS)	4.000 EA
HG0048A01G	HSG,K EX	1.000 EA
BS0141A01G	HSG,K CAP W/FOOT OPEN SNAP RING 2X .2	1.000 EA
BS0141A02G	HSG,K CAP W/FOOT CLOSED NO SNAP RING	1.000 EA
HA4021A05	1/16 NPSF-HX SOC PIPE PLUG TAPER DRY SEA	1.000 EA
BG6203A01	6203 OPEN,C3,SLUSH	1.000 EA
BG6203A01	6203 OPEN,C3,SLUSH	1.000 EA
HW5002A51	RET RING N5002 - 156 (WALDES) BEVELED 40	1.000 EA
HW5100A03SP	WAVY WASHER (W1543-017)	1.000 EA

Parts List (continued)		
Part Number	Description	Quantity
15XM0832A10	SCREW, 8-32X .625, THREAD FORMING	8.000 EA
HW4600D29	SEAL, TCM #060871SC-G (.625" X .875"	1.000 EA
RM1056	RUBBER SQUARE RING 2.739 I.D.	2.000 EA
HA1194B01	BLADDER,CJK EXPANSION	1.000 EA
15XM0632A06	SCREW, 6-32X .375, THREAD FORMING	3.000 EA
RM1057	RUBBER SQUARE RING 1.424 I.D.	1.000 EA
19XN1032A12	SCREW, HEX WASHER HEAD, #10-32 X .750	4.000 EA
BMH1910	KEY 3/16X3/16X1 1/8 AUTO X	1.000 EA
HA7000A04	KEY RETAINER 0.625 DIA SHAFTS	1.000 EA
HA2250	SPACER, FOR "K" BOX WORM GEAR AUTOMATED	1.000 EA
CB0100B01G	CB,EXR 25 .88 LEAD EXIT F1 POSITION	1.000 EA
GS0120	GASKET,CONDUIT BOX FOR CB2000A17	1.000 EA
15XN0832A08	SCREW PAN HD 08-32 X 1/2 (PHILLIPS)	2.000 EA
CB0103A00G	CB,LID FOR CB0100 W/GRAY POWDER COATING	1.000 EA
GS0121A01	GASKET, LID FOR CB0100B00	1.000 EA
15XM0832A06	SCREW, 8-32X .375, THREAD FORMING	4.000 EA
HW6004A04	CAPAC. CLAMP- B.M.I. NO. 670036-0941	1.000 EA
HW6005A07	TOP END CAP,670400-0074	1.000 EA
96XN1032A05	10-32X5/16 FLAT HD PHLPS DRV	2.000 EA
MJ5019A01	ADHESIVE LOCTITE #680 WAS BAD4525	0.010 EA
MJ5004A35	ADHESIVE LOCTITE #243-31 50 ML	0.001 EA
WM0054A04	WORM,K 40.0 INP	1.000 EA
MJ1000B02	KLUB. GH6-460 GEAR OIL 1 LB	0.024 GA
NP1416A01	NP,AC STD AD NONE V CE CSA UL GEAR MOTOR	1.000 EA

Parts List (continued)		
Part Number	Description	Quantity
LB5040	INSTRUCTION TAG, AC & DC	1.000 EA
CPA1000	PACKING GROUP STD. SINGLE	1.000 EA
LB1125C01	STD (STOCK) CARTON LABEL BALDOR WITH FLA	1.000 EA
MG2000A14	RUST VETO 342 RUST INHIBITOR	0.001 GA



25LYE298

CUSTOMER IS RESPONSIBLE FOR DETERMINING THAT MOTOR PERFORMANCE IS SUITABLE IN THE APPLICATION.

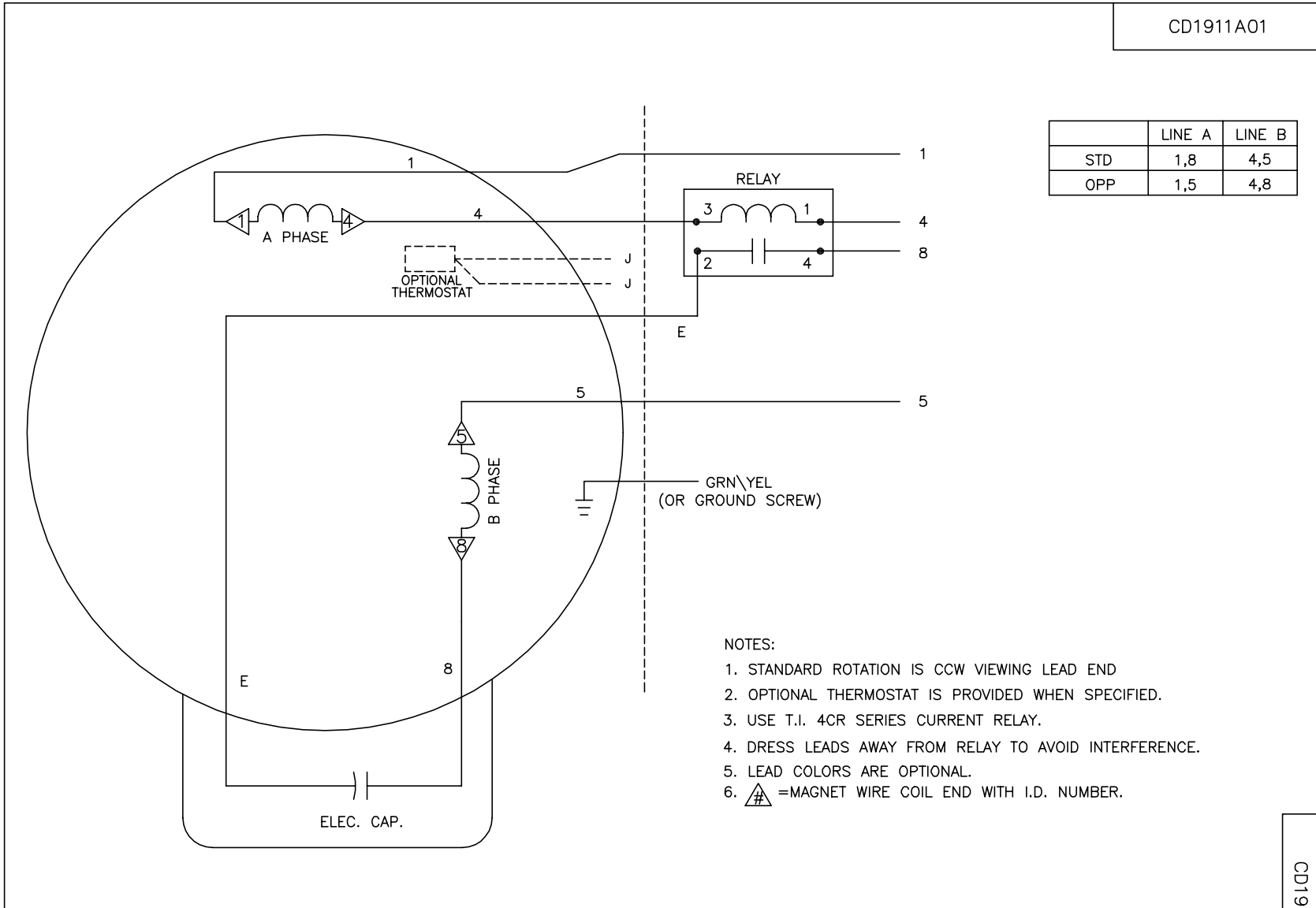
REV. DESC: UPDATE GEARHEAD		
REV. LTR: C	VERSION: 01	TDR: 000000365949
25LYE298	FILE: \CKA\00013\991	REVISED: 16:15:22 05/19/2005
	MTL: -	BY: CKMARD0

BALDOR ELECTRIC Co.

LAYOUT,25 K TEFC GP NONE

25LYE298

CD1911A01



	LINE A	LINE B
STD	1,8	4,5
OPP	1,5	4,8

- NOTES:
1. STANDARD ROTATION IS CCW VIEWING LEAD END
 2. OPTIONAL THERMOSTAT IS PROVIDED WHEN SPECIFIED.
 3. USE T.I. 4CR SERIES CURRENT RELAY.
 4. DRESS LEADS AWAY FROM RELAY TO AVOID INTERFERENCE.
 5. LEAD COLORS ARE OPTIONAL.
 6. =MAGNET WIRE COIL END WITH I.D. NUMBER.

REV. DESC: NEW		VERSION: 00		TDR: 000000360969	
REV. LTR: -		FILE: \CKA\00027\231		REVISED: 07: 41: 20 04/08/2005	
CD1911A01		MTL: -		BY: CKYUKPO	

BALDOR ELECTRIC Co.
 TYPE L, SV, REV, SEP MOUNTED RELAY, CK

CD1911A01