

BALDOR® • RELIANCE

Product Information Packet

ELECTRIC MOTOR WHOLESAL.COM

GPP12521

.083 HP,DC,PSSH-0,2416P,TENV,GM

Part Detail							
Revision:	T	Status:	PRD/A	Change #:		Proprietary:	No
Type:	DC	Prod. Type:		Elec. Spec:	24WGZ144	CD Diagram:	
Enclosure:	TENV	Mfg Plant:		Mech. Spec:		Layout:	
Frame:	PSSH	Mounting:		Poles:	///	Created Date:	
Base:		Rotation:		Insulation:	F	Eff. Date:	04-11-2012
Field Type:		Literature:		Elec. Diagram:		Replaced By:	

Nameplate NP1220A39

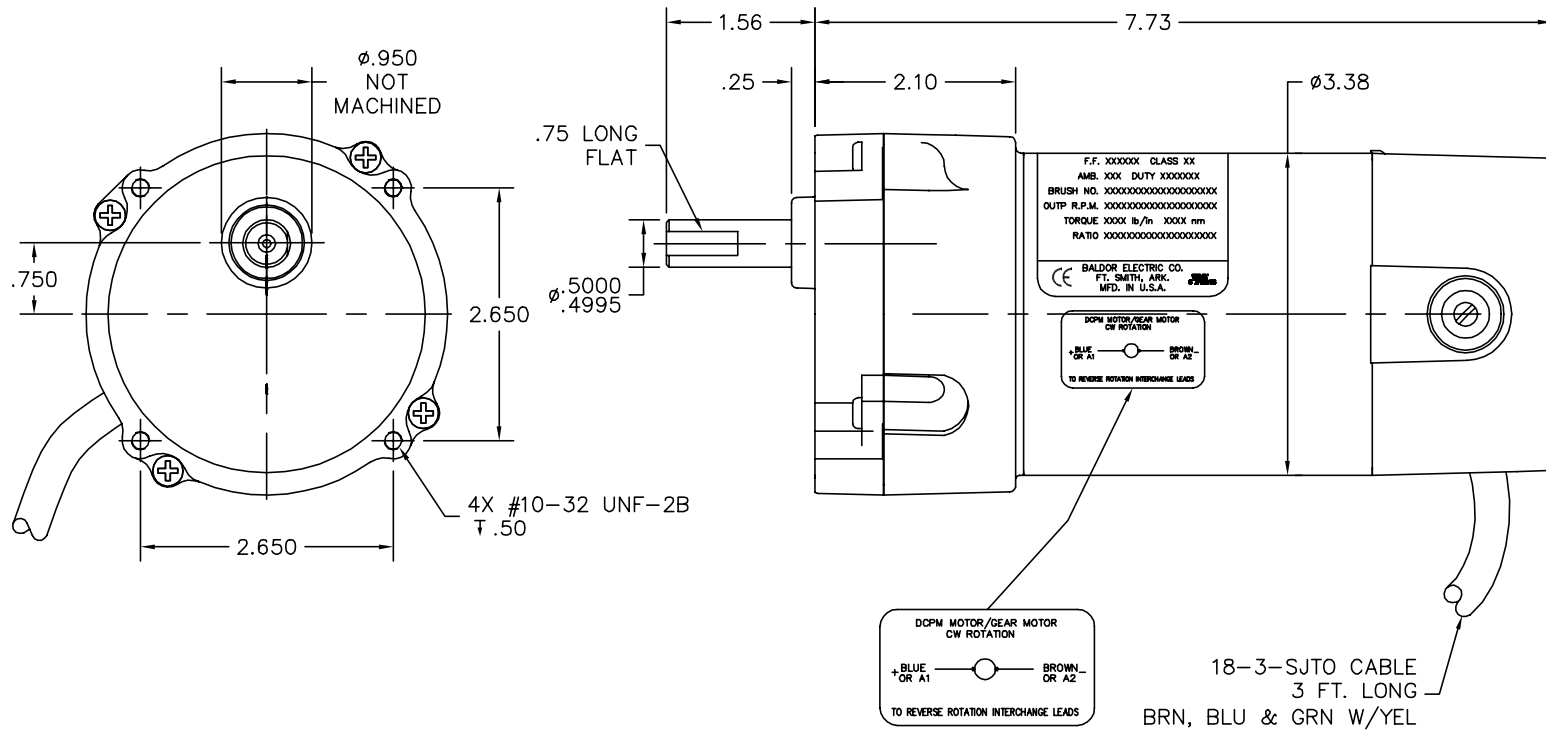
CAT.NO.	GPP12521						
SER.NO							
SPEC.	24A312Z144G1						
FRAME	PSSH	TYPE				2416P	
HP	-	KW				.062 TE	
VOLTS	180 DC						
AMP	.49						
F.F.	1.35	CLASS				F	
AMB.	40	DUTY				CONT	
BRUSHES	2/BP5052BP01						
R.P.M.	250						
TORQ/IN LB	19.7	N.M.				2.2	
RATIO	10:1						
APRV-CE					APRV-CUL		

Parts List		
Part Number	Description	Quantity
SA105721	SA 24A312Z144G1	1.000 EA
AA009585	AA 24A312Z144G1	1.000 EA
BP5052BP01SP	BRUSH, GRADE R884 NATIONAL CARBON (FOR 1	1.000 EA
HW3064E05	1/8 X 1/2 PIN DRIVE LOK TYPE H	1.000 EA
HA4021A05	1/16 NPSF-HX SOC PIPE PLUG TAPER DRY SEA	1.000 EA
24EP3102A01L	EP,24DC 0DE CL 0.63P4	1.000 EA
80XN1032A04	10-32 X 1/4 SET SCREW	2.000 EA
BP4529SP	BRUSH TUBE HOLDER:BBR1097	1.000 EA
BP4530SP	BRUSH TUBE CAP AE-57	1.000 EA
BCB1111-115	CABLE ASS'Y, 18-3-SJTO 24F	1.000 EA
55XT0632G03	6-32 X 0.187 RD HD PHILLIPS, SERRATED	1.000 EA
WD4102A01	STRN RELIEF HEYCO #1214/M.P. 23MPO6L10	1.000 EA
HW5109A13	WASHER, WAVE SPRING FOR 26MM BORE SMALLE	1.000 EA
HA3100A08	THRUBOLT 10-32 X 5.750	2.000 EA
HW1001A10	WASHER, #10 SPLT LK, ZN X	2.000 EA
SG0047A07	SHAFT,ASSY PSSH SHORT INT1 2RED 2.0/5.0	1.000 EA
SG0047A08	SHAFT,ASSY PSSH SHORT OUTP 2RED 0.0/2.0	1.000 EA
CG0001A01DL	HSG,PSSH CAP STD CASTING	1.000 EA
BH1163A02	SCE88 INA NEEDLE ROL SM21	1.000 EA
HW4600C29	SEAL, TCM #0507416 SCW .50X.75X.165 RB	1.000 EA
RM1020A21	O-RING,3.240 I.D. X .052 BUNA (PGS) BGA4	1.000 EA
15XM0832A08	SCREW, 8-32X .500, THREAD FORMING	4.000 EA
MJ1000B02	KLUB. GH6-460 GEAR OIL 1 LITER	0.030 GA
NP1220A39	NP,DC STD AD NONE V GEAR MOTOR CE CUL KW	1.000 EA

Parts List (continued)		
Part Number	Description	Quantity
LC0899A07	CONNECTION LABEL, DCPM CW ROTATION CE CO	1.000 EA
LB5040	INSTRUCTION TAG, AC & DC	1.000 EA
CPA1000	PACKING GROUP STD. SINGLE	1.000 EA
LB1171	LABEL CARTON 6X6 ON LINE BLANK ROLLS	1.000 EA
MG2000A14	RUST VETO 342 RUST INHIBITOR	0.001 GA

Accessories		
Part Number	Description	Multiplier
LB73	"L" BRACKET KIT FOR PSSH GEARBOX-BLACK	A8
LB73GR	"L" BRACKET KIT FOR PSSH GEARBOX-GRAY	A8
BC139	.25HP-230V/SCR CNTL,AC,HP RES REQ.	E9
BC140	CS2934A,120/240VAC .5/1-HP SCR CTL,NEMA	E9
BC140-FBR	W/FOR BRAKE REV SWITCH	E9
BR0250	PLUG IN RESISTOR	E9

24A312Z144G1



CUSTOMER IS RESPONSIBLE FOR DETERMINING THAT MOTOR PERFORMANCE IS SUITABLE IN THE APPLICATION.

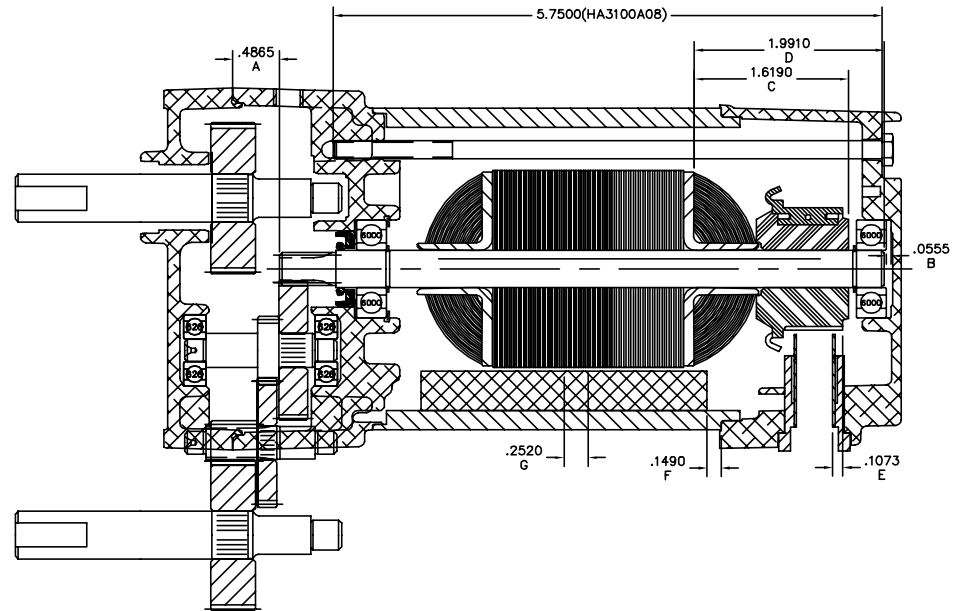
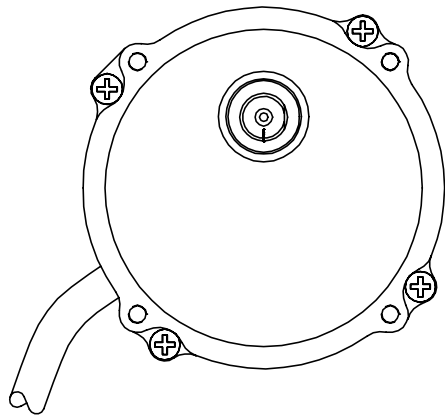
REV. DESC: CHANGE CORD CALLOUT FROM SJO TO SJTO		
REV. LTR: A	VERSION: 01	TDR: 000000429210
24A312Z144G1	FILE: \CKA\00022\927	REVISED: 10:44:33 04/19/2007
	MTL: -	BY: CKMARD0

BALDOR ELECTRIC Co.

LY,24DC PSSH DOM TENV .50X1.56 EXT W/FLAT LONG

24A312Z144G1

24A312Z144G1



CUSTOMER IS RESPONSIBLE FOR DETERMINING THAT MOTOR PERFORMANCE IS SUITABLE IN THE APPLICATION.

REV. DESC: CHANGE CORD CALLOUT FROM SJO TO SJTO

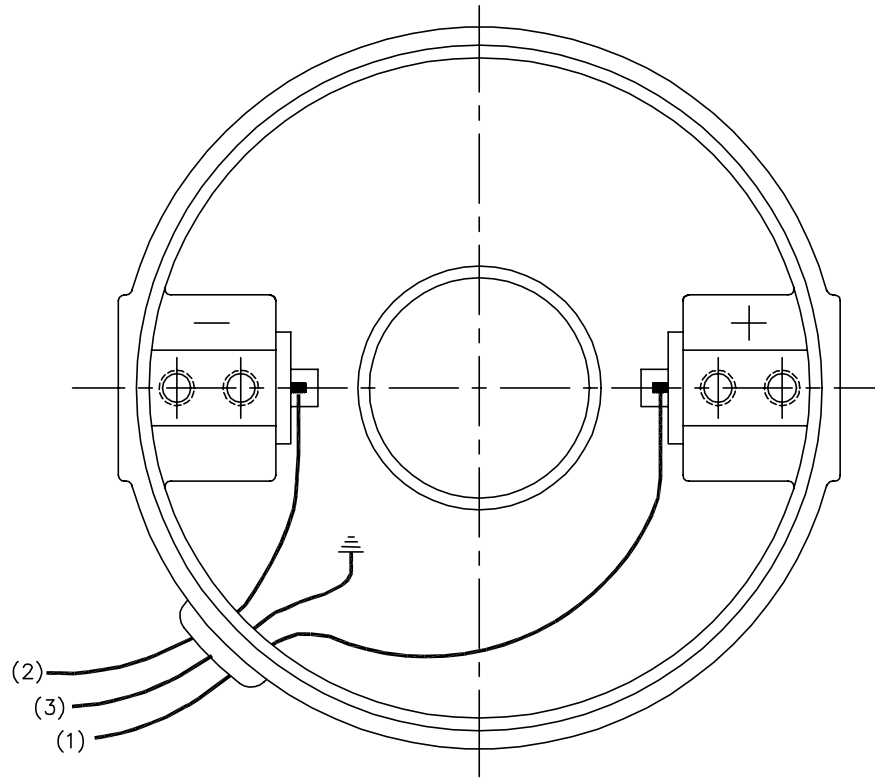
REV. LTR: A	VERSION: 01	TDR: 000000429210
24A312Z144G1	FILE: \CKA\00022\927	REVISED: 10:44:33 04/19/2007
	MTL: -	BY: CKMARD0

BALDOR ELECTRIC Co.

LY,24DC PSSH DOM TENV .50X1.56 EXT W/FLAT LONG

24A312Z144G1

CD1899



(1) COLOR MAY BE
RED
WHT
BLU

(2) COLOR MAY BE
BLK
BRN

(3) COLOR WHEN REQ.
GRN
GRN/YEL

VIEWED FROM
DRIVE END

REV. DESC: NEW			
REV. LTR: -	BY: PAW	REVISED: 09:06:34 09/16/2004	TDR: 341564
668100		FILE: CKA00025830	REF: CD1899
		MTL: -	

BALDOR ELECTRIC Co.

PM,2LD,REV,TANG,CK

CD1899