

BALDOR® • RELIANCE

Product Information Packet

ELECTRIC MOTOR WHOLESAL.COM

GPP2534

G.M. L32LA 90V DC 115 RPM 15:1 GPP2534

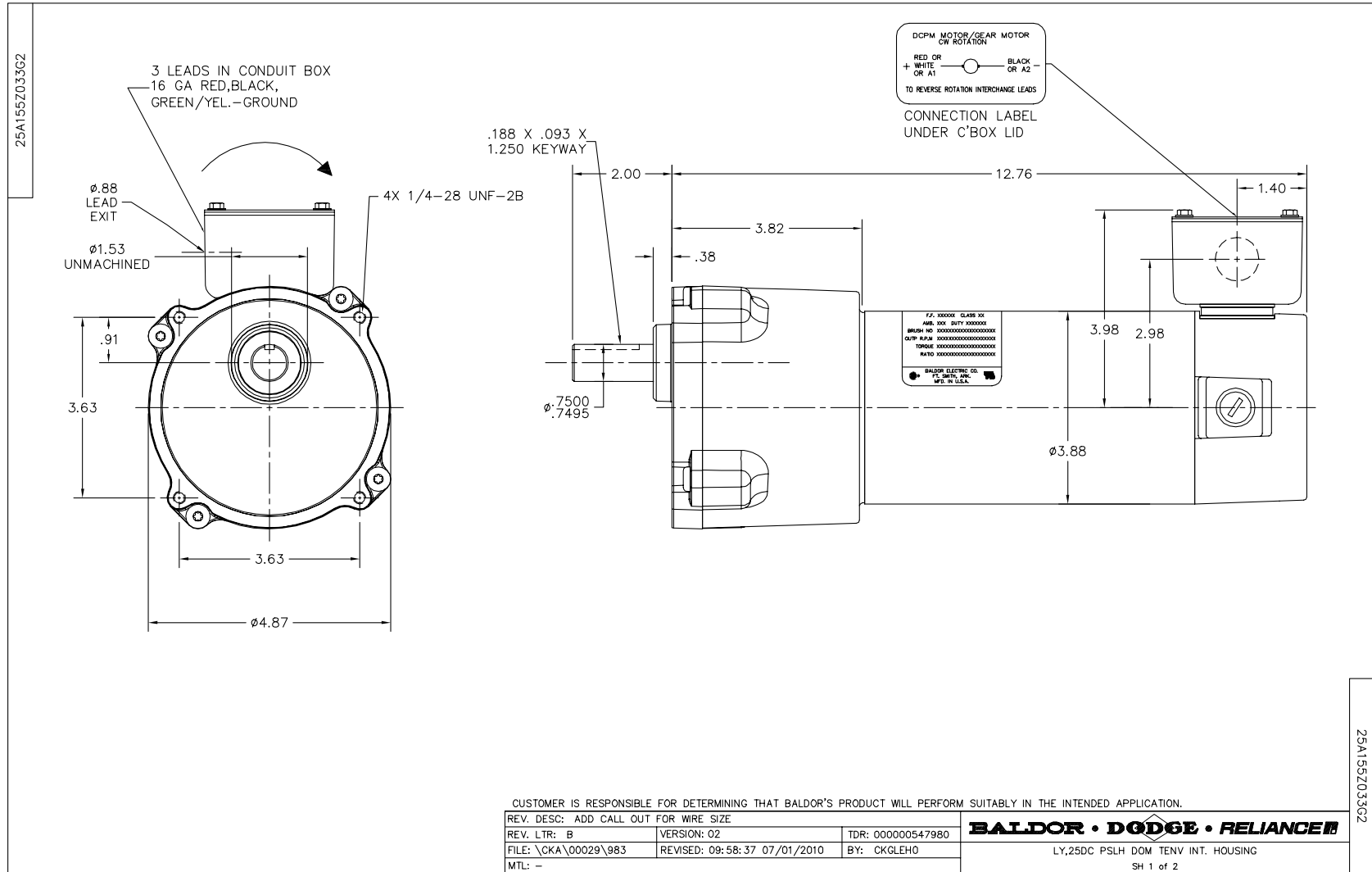
Part Detail							
Revision:	P	Status:	PRD/A	Change #:		Proprietary:	No
Type:	DC	Prod. Type:		Elec. Spec:	25WGZ033	CD Diagram:	
Enclosure:	TENV	Mfg Plant:		Mech. Spec:		Layout:	
Frame:	PSLH	Mounting:		Poles:	///	Created Date:	05-18-2006
Base:		Rotation:	R	Insulation:	F	Eff. Date:	07-13-2012
Field Type:		Literature:		Elec. Diagram:		Replaced By:	

Nameplate NP1220A14			
CAT.NO.	GPP2534		
SER.NO			
SPEC.	25A155Z033G2		
FRAME	PSLH	TYPE	2532P
HP	.33	TE	
VOLTS	90		
AMP	3.2		
F.F.	1.4	CLASS	F
AMB.	40	DUTY	CONT
BRUSHES	2/BP5040BP01		
R.P.M.	115		
TORQ/IN LB	164		
RATIO	15:1		
APRV-CSA		APRV-UL	

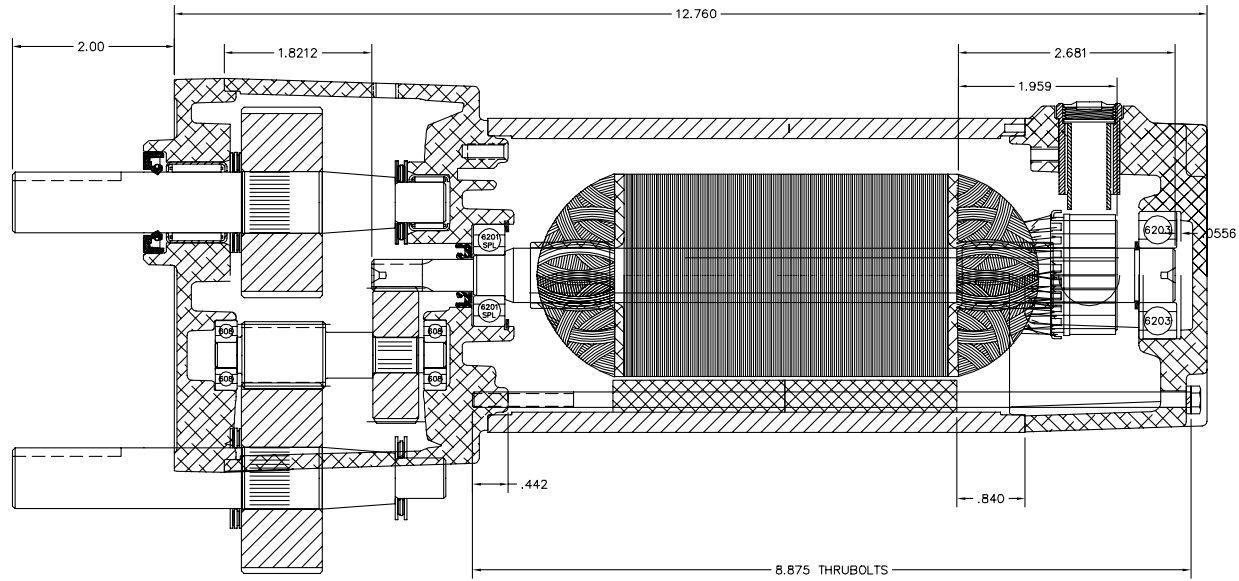
Parts List		
Part Number	Description	Quantity
SA145253	SA 25A155Z033G2	1.000 EA
AA012256	AA 25A155Z033G2	1.000 EA
LC0899A02	CONNECTION LABEL FOR TYPE DCPM	1.000 EA
BP5040BP01	BRUSH 5/16 X 7/16	2.000 EA
HG0076A05BL	HSG,PSL EP 25DC LONG HOUSING	1.000 EA
BMH1714	WASHER,PREC 1.259"X.756"X.010"	2.000 EA
HW5002A95	N5002-125 32MM BEVELED INTERNAL RET RING	1.000 EA
HW4600D28	SEAL,10X20X4MM TCM #03907815PSCW	1.000 EA
HA4021A05	1/16 NPSF-HX SOC PIPE PLUG TAPER DRY SEA	1.000 EA
25EP2102A04L	ENDPLATE, 25 FRAME BRUSH W/BLACK POWDER	1.000 EA
BP4533	BRUSH HOLDER; 6010-DF-SS-1062-TP	2.000 EA
80XN1032A04	10-32 X 1/4 SET SCREW	2.000 EA
BAD4124	380-50 BLK MAX LOCTITE ADHESIVE	0.001 EA
BP4534	BRUSH TUBE CAP:BBR1095	2.000 EA
HW5109A05	WASHER, WAVE SPRING FOR 40MM BORE SMALLE	1.000 EA
LD0127A24	ASM,3LD RED,BLK,GRN RING TERM (10")	1.000 EA
WD4102A01	STRN RELIEF HEYCO #1214/M.P. 23MPO6L10	1.000 EA
WD4544A01	CABLE CLAMP, .250 DIA MICRO PLASTICS 22CC	1.000 EA
15XM0832A06	SCREW, 8-32X .375, THREAD FORMING	1.000 EA
HA6569L	ADAPTER PLATE, CONDUIT BOX PAINTED	1.000 EA
51XT0832G05	SCREW,HEX HD 8-32 X 5/16 GRN.	1.000 EA
HA3100A45	THRUBOLT 10-32 X 8.875	2.000 EA
HW1004A10	WASHER,LOCK,#10 INT. TOOTH	2.000 EA
33CB3001L	BOX, CAST W/BLACK EPOXY POWDER	1.000 EA

Parts List (continued)		
Part Number	Description	Quantity
33GS1006	GASKET CONDUIT BOX (LEXIDE)	2.000 EA
51XN0832A12	8-32 HEX SLOT WSHR HD MACH SC GRADE 2, Z	4.000 EA
34GS1001	GASKET, STD CONDUIT BOX LID (LEXIDE)	1.000 EA
34CB4500L	CONDUIT BOX LID W/BLACK EPOXY POWDER	1.000 EA
15XM0832A06	SCREW, 8-32X .375, THREAD FORMING	4.000 EA
BGS01218	SHAFT,ASSY PSLH LONG INT1 2RED 3.0/5.0	1.000 EA
BGS01219	SHAFT,ASSY PSLH LONG OUTP 3RED 0.0/3.0	1.000 EA
CG0012A01BL	CAP, PSL GEAR HEAD	1.000 EA
BH1163A03	SCE1212 INA NEEDLE ROLLER BBG1027	1.000 EA
HW4600D39	SEAL, .750 X 1.250 X .250 SINGLE	1.000 EA
RM1020A22	O-RING .070 X 4.527	1.000 EA
HW3064E05	1/8 X 1/2 PIN DRIVE LOK TYPE H	1.000 EA
MJ1000B02	KLUB. GH6-460 GEAR OIL 1 LITER	0.112 GA
60XM2520A12	SCREW,PAN TORX 1/4-20X.750 THREAD FORMIN	4.000 EA
NP1220A14	NP,DC STD AD NONE V CSA UL GEAR MOTOR	1.000 EA
BMH1910	KEY 3/16X3/16X1 1/8 AUTO X	1.000 EA
ME4000	.375-.75" DIA.#SW-04 WOVEN SHAFT PROTECT	0.021 FT
25PA1002	PACKING GROUP SINGLE 25 DC STANDARD	1.000 EA
LB1171	LABEL CARTON 6X6 ON LINE BLANK ROLLS	1.000 EA

Accessories		
Part Number	Description	Multiplier
LB75	BASE, L BRACKET 34 FRAME PSL KIT GRAY	A8
BC138	KBWM-120 120VAC .25-HP SCR CTL, N	E9
BC140	CS2934A, 120/240VAC .5/1-HP SCR CTL, NEMA	E9
BC140-FBR	W/FOR BRAKE REV SWITCH	E9
BR0035	PLUG IN RESISTOR	E9



25A155Z033G2



25A155Z033G2

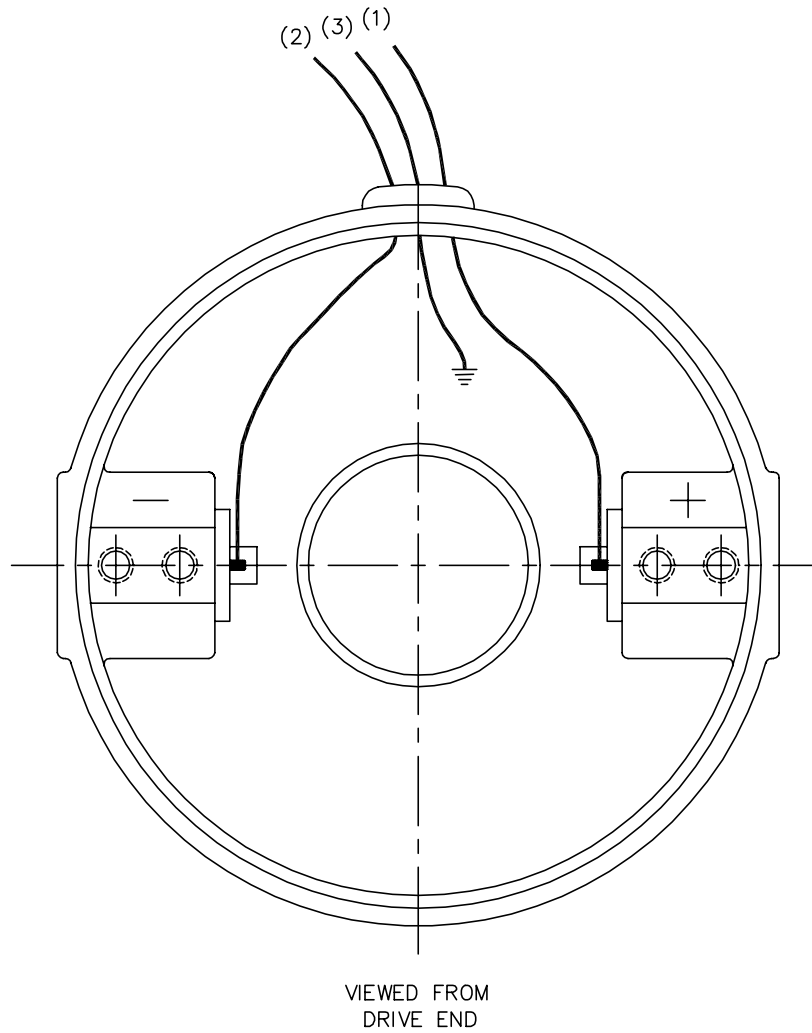
CUSTOMER IS RESPONSIBLE FOR DETERMINING THAT BALDOR'S PRODUCT WILL PERFORM SUITABLY IN THE INTENDED APPLICATION.

REV. DESC: ADD CALL OUT FOR WIRE SIZE		
REV. LTR: B	VERSION: 02	TDR: 000000547980
FILE: \CKA\00029\983	REVISED: 09:58:38 07/01/2010	BY: CKGLEHO
MTL: -		

BALDOR • DODGE • RELIANCE

LY,25DC PSLH DOM TENV INT. HOUSING
SH 2 of 2

CD1918



(1) COLOR MAY BE
RED
WHT
BLU

(2) COLOR MAY BE
BLK
BRN

(3) COLOR WHEN REQ.
GRN
GRN/YEL

VIEWED FROM
DRIVE END

REV. DESC: NEW		VERSION: 00		TDR: 000000353283	
REV. LTR: -		FILE: \CKA\00026\698		REVISED: 05:52:44 01/21/2005	
816100		MTL: -		BY: CKPHIWO	

BALDOR ELECTRIC Co.

PM,2LD,REV,TANG,CK

CD1918