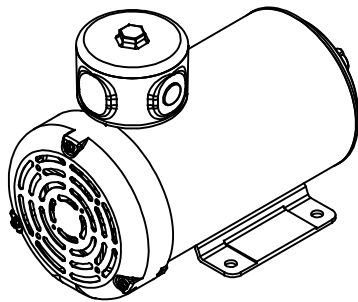


DASH NO	"C"	"AD"
625	10.23	3.74
650	10.48	3.99
675	10.73	4.24
700	10.98	4.49
725	11.23	4.74
750	11.48	4.99
775	11.73	5.24
800	11.98	5.49
825	12.23	5.74
850	12.48	5.99



		TOLERANCES UNLESS SPECIFIED		LEESON ELECTRIC MOTORS GEARMOTORS AND DRIVES		DRAWN VV 10/14/09	
		DEC	INCHES			CHK	
		x	±.1			APPR	
03	RELOCATE NAMEPLATE ISAAC 11-3874	LST 9/15/2011	XX .xx ±.03	TITLE	OUTLINE - 48 FR STAINLESS STEEL	SCALE 1:2	
02	ADD FRAME WELD & NAMEPLATE ISAAC 11-2475	LST 5/31/2011	XX .xxx ±.005	REF	IEC-80 B14 FRAME	REF	
01	LEAD EXIT WAS AT 9 O'CLOCK ISAAC 10-4197	SAD 10/13/2010	GWS .xxx ±.0005	MATL		FMF 103402.00	
NO	REVISION	BY & DATE	CHK ANG ±1/2°	FINISH		PAGE	OF
			RFP	PREV		SIZE	DRAWING NO
			NETWORK FILE NAME	032000		B	032000
							REV
							03