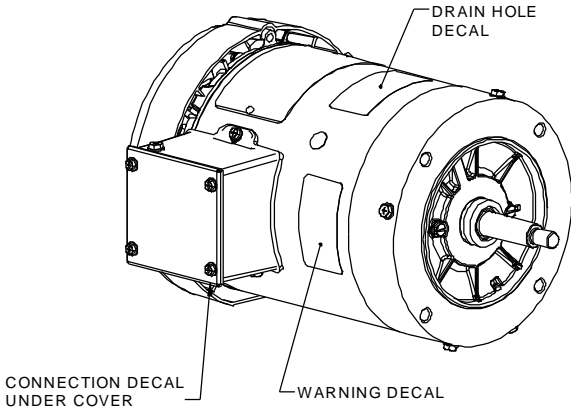


DASH NO.	"C"	"AD"
450	10.87	4.56
500	11.37	5.06
550	11.87	5.56
600	12.37	6.06
650	12.87	6.56
700	13.37	7.06

7/16-20 UNF-2A R.H. THREAD  
 ECCENTRICITY OF THREADED  
 PORTION OF SHAFT IS HELD WITHIN  
 .004 T.I.R. WITH THE INDICATOR ON  
 THE O.D. OF THE GROUND RING GAGE  
 BEING STATIONARY WITH RESPECT  
 TO THE MOTOR.

**WASHGUARD MOTOR**

- SPECIAL FEATURES:
1. SHAFT SEALS & V-RING.
  2. PLUGGED DRAIN HOLES IN ENDBELLS & CONDUIT BOX.
  3. BUNA-N GASKETS THROUGHOUT.
  4. STAINLESS STEEL SHAFT, HARDWARE & NAMEPLATE.



		TOLERANCES UNLESS SPECIFIED				DRAWN UD 12/27/12	
		DEC INCHES				CHK VS 12/27/12	
		X ±.1		APPR		SCALE 7:16	
		XX ±.03		TITLE OUTLINE - 56J FRAME		REF 607-0015	
		XXX ±.005		TEFC - "C" FACE		FMF 056T34W99008	
		XXXX ±.0005		MAT'L WASHGUARD - JET PUMP		PAGE OF	
NO	REVISION	BY & DATE	CHK LANG ±1/2°	FINISH			
		THIRD ANGLE PROJECTION		RFP	PREV	SIZE B	DRAWING NO 607-0015ME
				NETWORK FILE NAME 607-0015ME	REV		