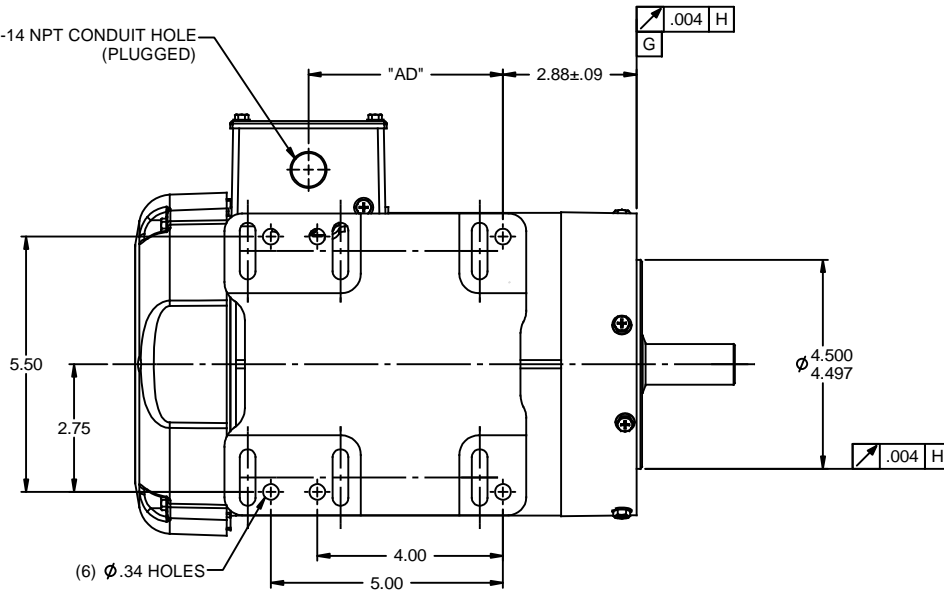


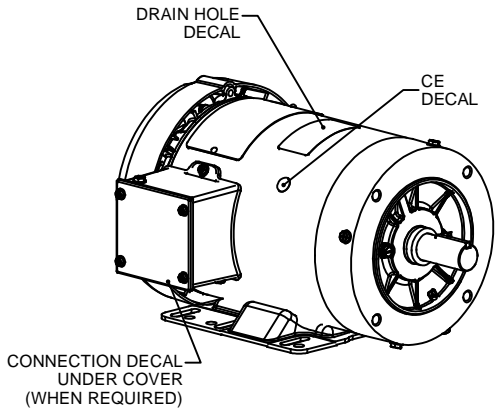
3/8-16 UNC-2B x .56 DEEP  
(4) REQ'D. ON A Ø5.875 B.C.

(1) 1/2-14 NPT CONDUIT HOLE (PLUGGED)



### WASHGUARD MOTOR

- SPECIAL FEATURES:
1. SHAFT SEALS & V-RING.
  2. PLUGGED DRAIN HOLES IN ENDBELLS & CONDUIT BOX.
  3. BUNA-N GASKETS THROUGHOUT.
  4. STAINLESS STEEL SHAFT, HARDWARE & NAMEPLATE.



DASH NO.	"C"	"AD"
700	12.93	4.19
750	13.43	4.69
775	13.68	4.94
800	13.93	5.19
850	14.43	5.69

TOLERANCES UNLESS SPECIFIED		marathon electric		DRAWN VS 4/21/2011	
DEC	INCHES	TITLE OUTLINE - 140TC FRAME TEFC - RIGID "C" FACE MATL WASHGUARD		CHK	
x	±.1			APPR	
.XX	±.03			SCALE	3:8
.XXX	±.005			REF	607-0003
.XXX	±.0005	FINISH		FMF	145TTVR5030
NO	REVISION	BY & DATE	CHK ANG ±1/2°	PAGE	OF
	THIRD ANGLE PROJECTION	RFP	PREV	SIZE	DRAWING NO
		NETWORK FILE NAME	607-0018	<b>B</b>	<b>607-0018</b>
					REV