

# **BALDOR**® • *RELIANCE*

## **Product Information Packet**

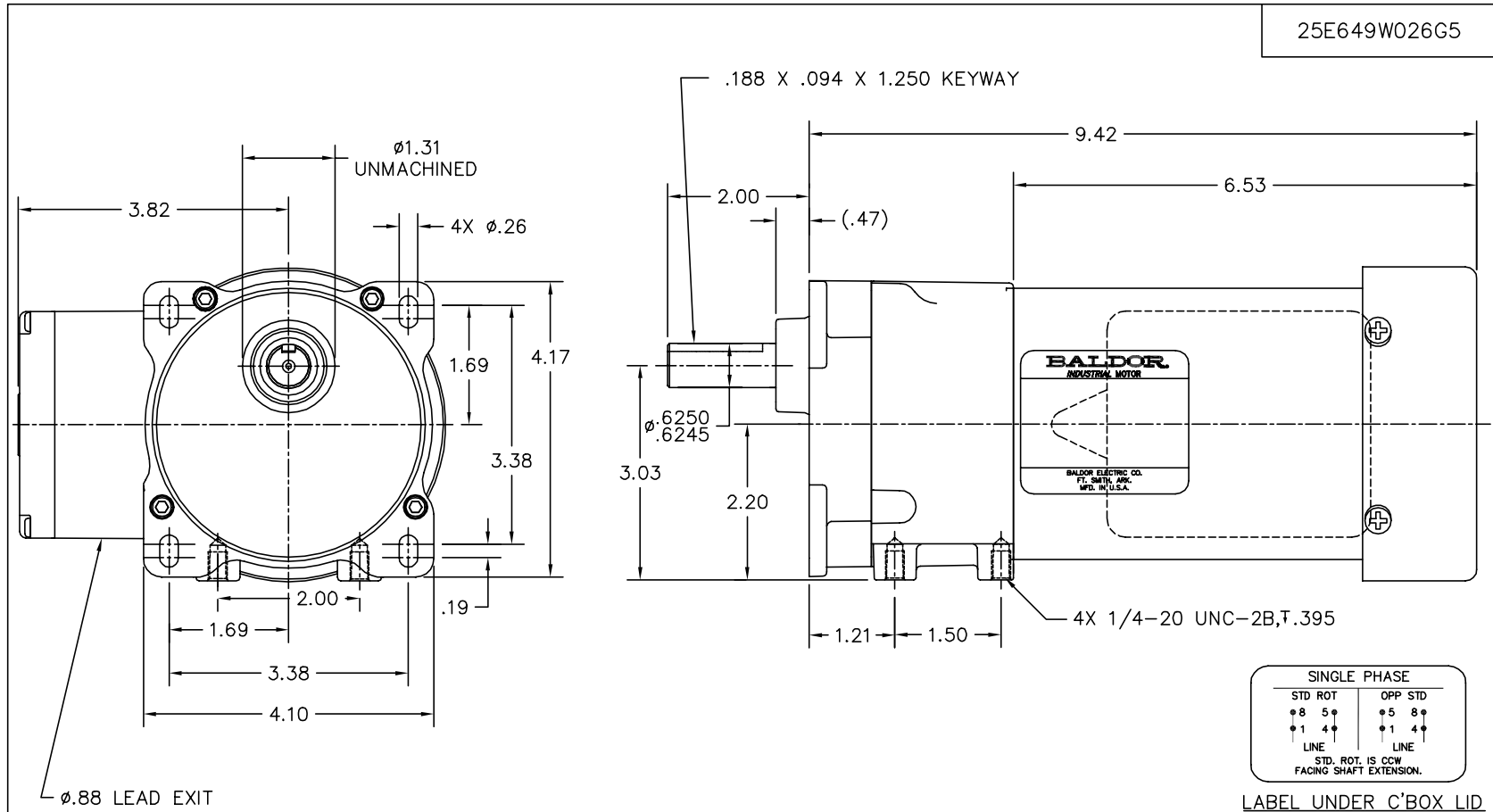
# **GCP25054**

**G.M. 2524 PSM 30:1 RSB TEFC**

| Product Detail      |              |            |        |             |          |               |              |
|---------------------|--------------|------------|--------|-------------|----------|---------------|--------------|
| Revision:           | L            | Status:    | PRD/A  | Change #:   |          | Proprietary:  | No           |
| Type:               | AC           | Prod Type: | 2524S  | Elec. Spec: | 25WGW026 | CD Diagram:   | CD1917       |
| Enclosure           | TEFC         | Mfg Plant: |        | Mech Spec:  |          | Layout:       | 25E649W026G5 |
| Frame:              | PSM          | Mounting:  |        | Poles:      | 04       | Created Date: | 03-15-2005   |
| Base:               |              | Rotation:  | R      | Insulation: | F        | Eff. Date:    | 06-18-2008   |
| Leads:              | 4#18         |            |        |             |          | Replaced By:  |              |
| Nameplate NP1416A01 |              |            |        |             |          |               |              |
| CAT.NO.             | GCP25054     | SER.NO     |        |             |          |               |              |
| SPEC.               | 25E649W026G5 |            |        |             |          |               |              |
| HP                  | .08//.11     | VOLTS      | 115    |             |          |               |              |
| AMP                 | 2.7//2.5     | HZ         | 50//60 |             |          |               |              |
| PH                  | 1            | CAP        |        | CODE        | S        | CLASS         | F            |
| SER.F.              | 1.00         | SF AMP     |        | AMB.        | 40C      |               |              |
| DUTY                | CONT         | R.P.M.     | 47//57 |             |          |               |              |
| TORQ/IN LB          | 112          | RATIO      | 30:1   |             |          |               |              |
| APRV-CE             |              | APRV-CSA   |        | APRV-UL     |          |               |              |

| <b>Parts List</b> |  |                 |                   |
|-------------------|--|-----------------|-------------------|
| <b>Product ID</b> | <b>Description</b>                       | <b>Quantity</b> | <b>List Price</b> |
| SA126338          | SA 25E649W026G5                          | 1.000           | 271.00            |
| RA116649          | RA 25E649W026G5                          | 1.000           | 226.00            |
| LC0899A55         | CON. LABEL,AC 4 LEAD (LC0017 NO THERMAL) | 1.000           | 2.00              |
| HG0060A19BG       | HSG,PSM EP STD 25AC WTAPPED FT FOR RSB   | 1.000           | 73.00             |
| BMH1716           | WASHER,PREC 1.175"X.751"X.02"            | 1.000           | 2.00              |
| HW5002A45         | WALDES TRUARC N5002-118 RETAINING RING   | 1.000           | 4.00              |
| HW4600D28         | SEAL,10X20X4MM TCM #03907815PSCW         | 1.000           | 2.00              |
| HW3064E05         | 1/8 X 1/2 PIN DRIVE LOK TYPE H           | 1.000           | 2.00              |
| HA4021A05         | 1/16 NPSF-HX SOC PIPE PLUG TAPER DRY SEA | 1.000           | 2.00              |
| 25FH4003-PA       | FAN COVER, 25F PAINTED                   | 1.000           | 13.00             |
| BFN3712           | FAN,PM MOTOR STYLE R                     | 1.000           | 19.00             |
| BMH1544           | SCREW,PAN 10-32 X 1/2"                   | 4.000           | 2.00              |
| 24CB3000A         | CONDUIT BOX - MODEL 24 KENCO             | 1.000           | 7.00              |
| 24CB3500A         | CONDUIT BOX LID - MODEL 24 W/ LOGO KENCO | 1.000           | 7.00              |
| XY0632A04         | NUT, #6-32 ACORN, HIGH CROWN             | 1.000           | 2.00              |
| XY0632A05         | NUT, #6-32 SELF LOCKING                  | 2.000           | 2.00              |
| 15XP0619A08       | #6-19X1/2 PAN HD PHILLIPS PLASTITE 48-2  | 4.000           | 2.00              |
| NP1416A01         | NP,AC STD AD NONE V CE CSA UL GEAR MOTOR | 1.000           |                   |
| 25EP2101A18       | EP,25AC ODE CL NONE 0.500 SHAFT EXIT     | 1.000           | 46.00             |
| HW5109A08         | WASHER, WAVE SPRING FOR 30MM BORE SMALLE | 1.000           | 3.00              |
| 51XT0832G05       | SCREW,HEX HD 8-32 X 5/16 GRN.            | 1.000           |                   |
| HA3170A06         | THRUBOLT, FLAT HD. #8-32 6.125 LONG      | 2.000           | 3.00              |
| BCG5495-001BG     | CAP,PSM STD                              | 1.000           | 71.00             |
| RM1020A24         | O-RING,3.690 I.D. X .073 BUNA BGA4882    | 1.000           | 2.00              |

| <b>Parts List (continued)</b> |  |                 |                   |
|-------------------------------|--|-----------------|-------------------|
| <b>Product ID</b>             | <b>Description</b>                     | <b>Quantity</b> | <b>List Price</b> |
| SG0052A01                     | SHAFT,ASSY PSM LONG INT1 3RED 2.0/5.0  | 1.000           | 77.00             |
| SG0052A19                     | SHAFT,ASSY PSM LONG INT2 3RED 3.0/2.0  | 1.000           | 86.00             |
| SG0052A29                     | SHAFT,ASSY PSM LONG OUTP 3RED 0.0/3.0  | 1.000           | 101.00            |
| BH1103                        | BRG,NEEDLE, SCE1010 INA .625X.812X.625 | 1.000           | 16.00             |
| HW4600D90                     | SEAL 0.625 X 1.000 X 0.250 SINGLE LIP  | 1.000           | 2.00              |
| 84XN1032J16                   | SCREW, SOC HD CAP 10-32 X 1"           | 4.000           | 2.00              |
| HW2501D10                     | KEY, 3/16 SQ X 1.000                   | 1.000           | 2.00              |
| HA7000A04                     | KEY RETAINER 0.625 DIA SHAFTS          | 1.000           | 2.00              |
| MG3000G01                     | EPOXY POWDER, GREY CHARCOAL            | 0.030           | 37.00             |
| MJ1000B02                     | KLUBERSYNTH GH6-460 GEAR OIL           | 0.030           | 215.00            |
| LD0090A38                     | LD,02 6" 4 8 (RELAY)                   | 1.000           | 2.00              |
| LB5040                        | INSTRUCTION TAG, AC & DC               | 1.000           | 2.00              |
| CPA1000                       | PACKING GROUP STD. SINGLE              | 1.000           | 7.00              |
| LB1172A01                     | CUSTOM MTR CARTON LABEL LASER PRINTER  | 0.167           | 2.00              |



CUSTOMER IS RESPONSIBLE FOR DETERMINING THAT MOTOR PERFORMANCE IS SUITABLE IN THE APPLICATION.

REV. DESC: CHG TO INDICATE CONNECTION LABEL UNDER CBOX LID

REV. LTR: B

VERSION: 02

TDR: 000000454172

**BALDOR • DODGE • RELIANCE**

25E649W026G5

FILE: \CKA\00027\051

REVISED: 10:04:31 01/21/2008

LY,25AC PSM RSB TEFC 2.000 0.625 KEY (25E018W026G5)

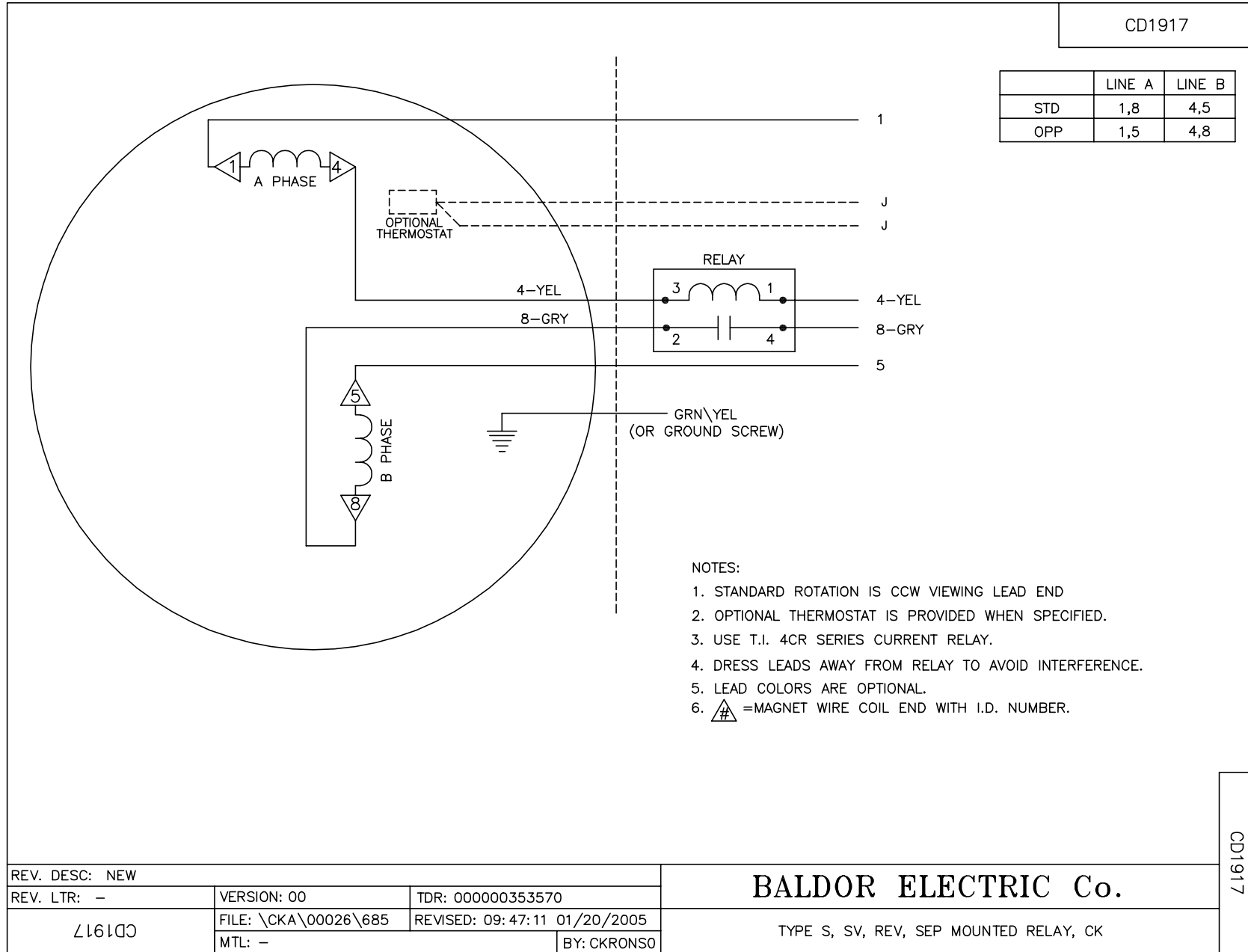
MTL: -

BY: CKRONSO

25E649W026G5

CD1917

|     | LINE A | LINE B |
|-----|--------|--------|
| STD | 1,8    | 4,5    |
| OPP | 1,5    | 4,8    |



NOTES:

1. STANDARD ROTATION IS CCW VIEWING LEAD END
2. OPTIONAL THERMOSTAT IS PROVIDED WHEN SPECIFIED.
3. USE T.I. 4CR SERIES CURRENT RELAY.
4. DRESS LEADS AWAY FROM RELAY TO AVOID INTERFERENCE.
5. LEAD COLORS ARE OPTIONAL.
6. =MAGNET WIRE COIL END WITH I.D. NUMBER.

|                |  |                      |  |                                |  |
|----------------|--|----------------------|--|--------------------------------|--|
| REV. DESC: NEW |  | VERSION: 00          |  | TDR: 000000353570              |  |
| REV. LTR: -    |  | FILE: \CKA\00026\685 |  | REVISED: 09: 47: 11 01/20/2005 |  |
| CD1917         |  | MTL: -               |  | BY: CKRONSO                    |  |

**BALDOR ELECTRIC Co.**

TYPE S, SV, REV, SEP MOUNTED RELAY, CK

CD1917