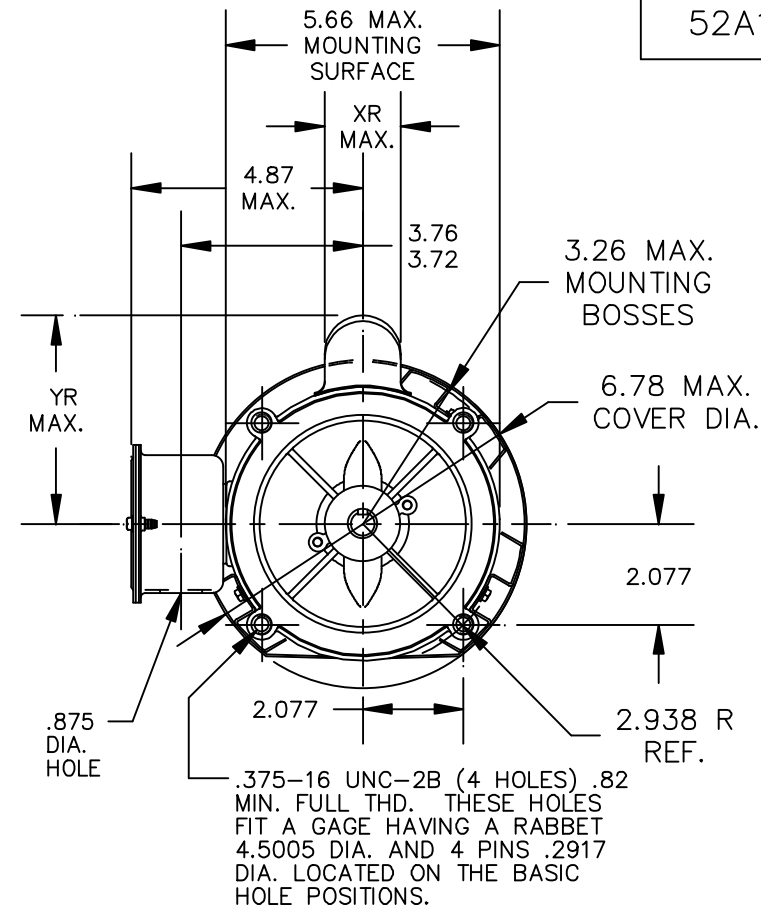
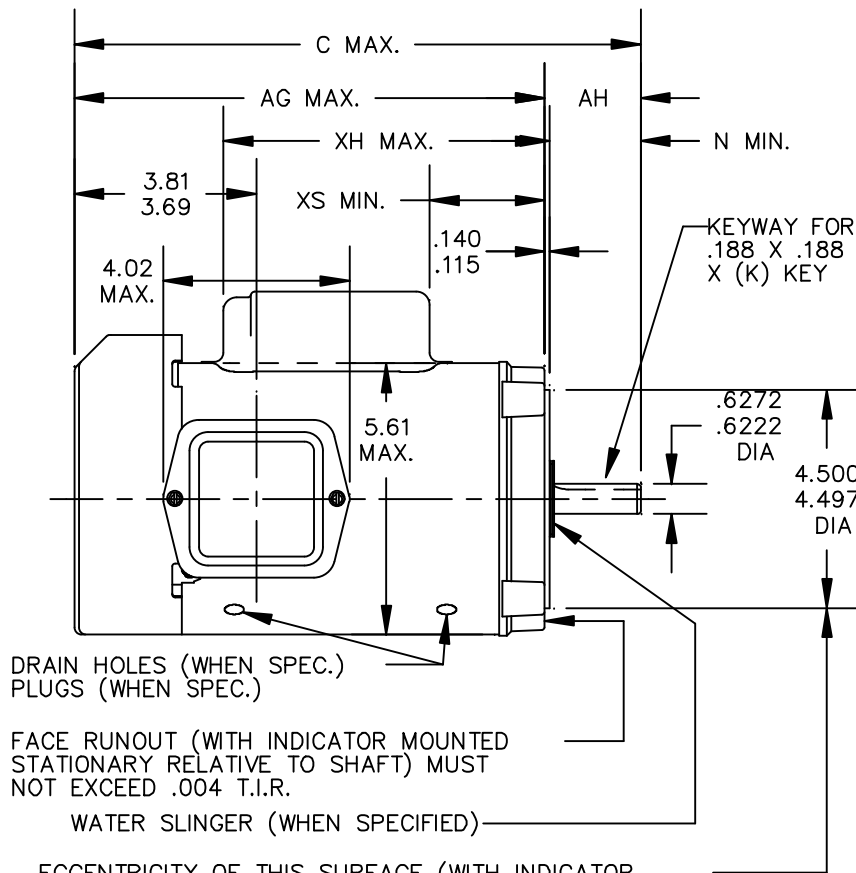



52A102402



10	KC	32	56C	10.30	8.22	5.94	1.56	1.60	4.34	2.12/2.00	1.88	1.38
9	KC	38	56C	12.36	10.20	7.02	2.03	1.60	4.34	2.12/2.00	1.88	1.38
8	KC	35	56C	10.93	8.85	6.20	1.77	2.22	4.96	2.12/2.00	1.88	1.38
7	KC	37	56C	12.26	9.68	7.02	1.43	1.60	4.34	2.62/2.50	2.38	1.38
6	KC	33	56C	10.55	8.47	5.81	1.43	2.22	4.96	2.12/2.00	1.88	1.38
5	KC	37	56C	11.76	9.68	7.02	1.43	1.60	4.34	2.12/2.00	1.88	1.38
4	KC	36	56C	11.36	9.23	6.62	1.43	1.60	4.34	2.12/2.00	1.88	1.38
3	KC	35	56C	10.93	8.85	6.19	1.81	1.60	4.34	2.12/2.00	1.88	1.38
2	KC	33	56C	10.55	8.47	5.81	1.43	1.60	4.34	2.12/2.00	1.88	1.38
1	KC	32	56C	10.30	8.22	5.56	1.18	1.60	4.34	2.12/2.00	1.88	1.38
P	TYPE	RBC SIZE	NEMA FR	C	AG	XH	XS	XR	YR	AH	N	K

				TOLERANCES UNLESS SPECIFIED				DRAWN B.A.C 08/30/77				
				DEC. INCHES				CHK				
15	RE DRAWN IN DRAFTSIGHT -NO CHANGES	GR 09/08/12	PKG	.X	±0.1	 REGAL-BELOIT CORPORATION TITLE OUTLINE TOTALLY ENCLOSED - OUTBOARD FAN - R2 END MOUNT				APPD B.L.J 05/04/93		
14	CHG TO RBC FOMAT AS PER IS05-1777	GOV 01/02/06	.XX	±0.02	SCALE 1=1							
13	REVISED LOCATION OF "XH" DIM.	M.D.P12/14/98	.XXX	±0.005	REF							
12	ADDED PT#10	B.L.J 06/25/93	.XXXX	±0.0005	MAT'L.				FMF			
NO.	REVISION	BY & DATE	CHK	ANG	±1.0	FINISH				PREV		
THIS DRAWING IN DESIGN AND DETAIL IS OUR PROPERTY AND MUST NOT BE USED EXCEPT IN CONNECTION WITH OUR WORK ALL RIGHTS OF DESIGN AND INVENTION ARE RESERVED THIS IS AN ELECTRONICALLY GENERATED DOCUMENT - DO NOT SCALE THIS PRINT				RFP	CAD FILE 52A102402				SIZE	DRAWING NO.		REV.
				DIST					A	52A102402		15