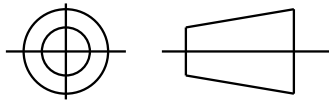


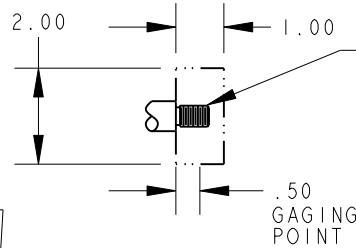
SHEET 1  
 REV 6  
 SIZE DRAWING NO. 52A102408  
 A

THIRD ANGLE PROJECTION



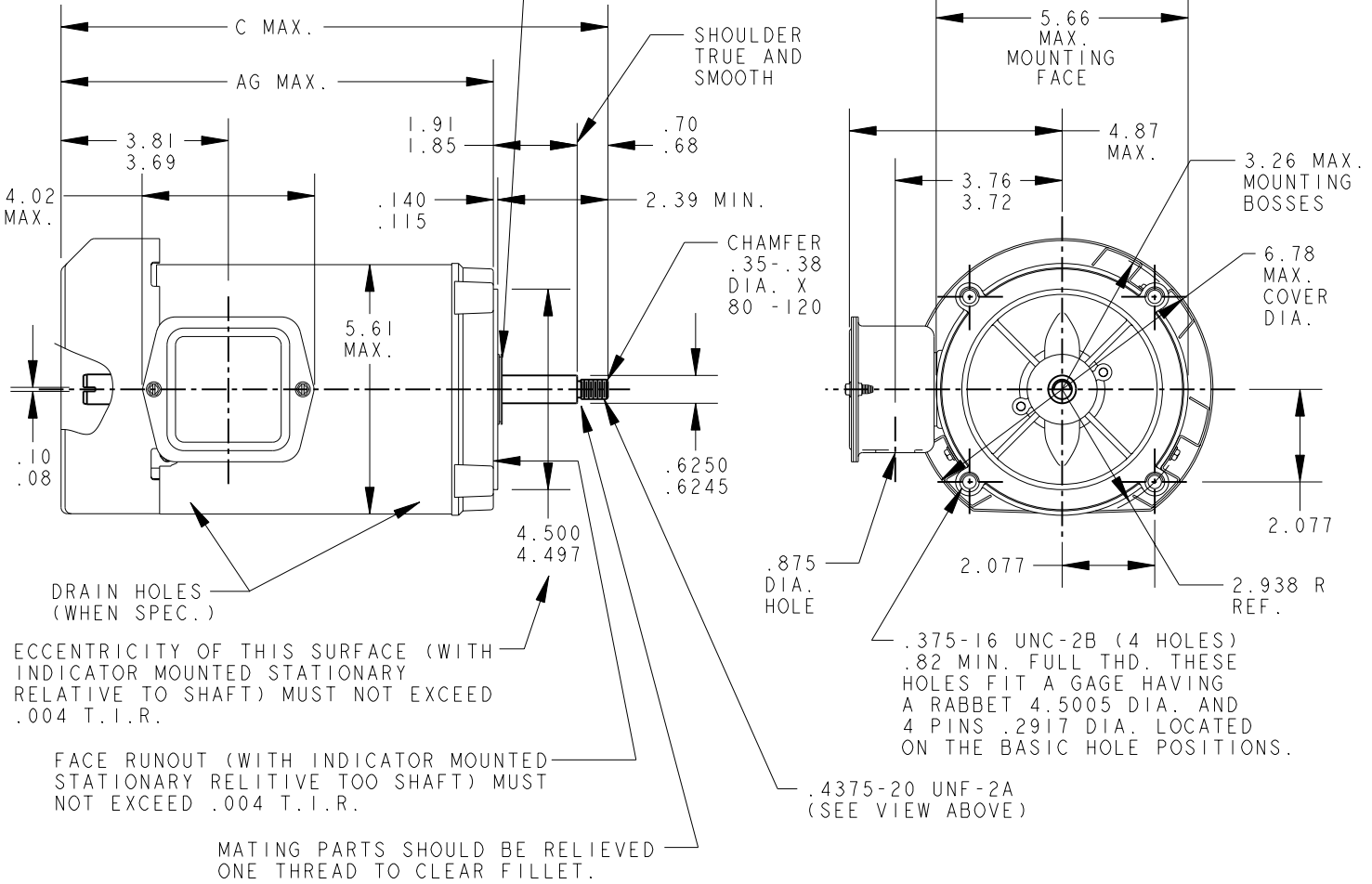
REVISIONS

REV.	DESCRIPTION	DATE	APPROVED
5	REVISED & REDRAWN	11/13/90	BLJ
6	CHG. MADE AS PER ISO5-2960	11/18/05	GOVARDAN




ECCENTRICITY OF THREADED PORTION OF SHAFT IS HELD WITHIN .004 GAGE READING WITH THE INDICATOR ON O.D. OF GROUND RING GAGE AS SHOWN, THE GAGE BEING STATIONARY WITH RESPECT TO THE ROTOR.

WATER SLINGER (WHEN SPEC.)



4	K	32	56J	10.81	8.22							
3	K	38	56J	12.87	10.28							
2	K	37	56J	12.27	9.68	6	K	36	56J	11.87	9.28	
1	K	35	56J	11.44	8.85	5	K	33	56J	11.06	8.47	
P	TYPE	GE SIZE	NEMA FR.	C	AG	P	TYPE	GE SIZE	NEMA FR.	C	AG	

SIGNATURES		DATE
MODEL	H. OSBORNE	09/06/77
DETAIL	.	.
CHECKED	.	.
ENGRG	.	.
MFG	.	.
FOR ADDITIONAL INFO REFER TO:	QUALITY	.
APPLIED PRACTICES	ISSUED	H. OSBORNE 09/06/77
DIMENSIONS ARE IN INCHES ✓		
MATERIAL	SOLID MODEL: 52A102408	



**REGAL-BELOIT CORPORATION**

TITLE

**OUTLINE**

**JET PUMP MOTOR - FORM N - TOTALLY ENCLOSED**

**R2 END MOUNT - BALL OR SLEEVE BEARING**

SIZE DRAWING

A

SCALE: 1.000 REF. No: . SHEET 1 of 1

REV

**52A102408**

**6**