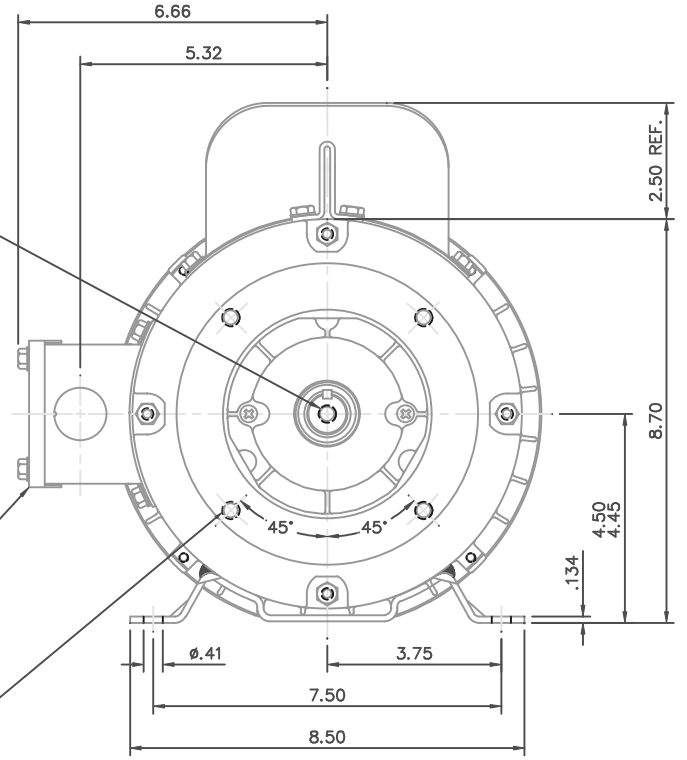
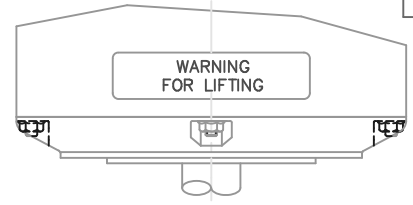


(1) 3/8-16 UNC-3B X .75 DEEP MIN

3/8-16 UNC-2B X .56 DEEP (4) REQ'D. ON A Ø5.875 B.C.

DECAL CONNECTION UNDER COVER



GASKETS THROUGHOUT  
 MAXIMUM FACE RUNOUT TO BE .004 T.I.R.  
 MAXIMUM PILOT ECCENTRICITY TO BE .004 T.I.R.  
 PERMISSIBLE SHAFT RUNOUT TO BE .004 T.I.R.

DASH NO.	"C"	"AD"
850	15.59	4.63
900	16.09	5.13
950	16.59	5.63
1000	17.09	6.13
1050	17.59	6.63
1100	18.09	7.13
1150	18.59	7.63
1200	19.09	8.13

NO.	REVISION	BY & DATE	CHK	ANG	TOLERANCES UNLESS SPECIFIED	
					DEC.	INCHES
					.X	±0
					.XX	±0
					.XXX	±0
					.XXXX	±0
01	CHANGE TO NEW C/BOX 022737.	YS 04/22/08				

THIS DRAWING IN DESIGN AND DETAIL IS OUR PROPERTY AND MUST NOT BE USED EXCEPT IN CONNECTION WITH OUR WORK. ALL RIGHTS OF DESIGN AND INVENTION ARE RESERVED. THIS IS AN ELECTRONICALLY GENERATED DOCUMENT - DO NOT SCALE THIS PRINT



TITLE OUTLINE - 180JM FRAME TEFC - RIGID "C"

MAT'L	
FINISH	
CAD FILE	035566

DRAWN	KVN 09/12/2007
CHK	
APPD	
SCALE	3=8
REF	
FMF	1841BFW7315
PREV	
SIZE	B
DRAWING NO.	035566
REV.	01