

# **BALDOR® • *RELIANCE***

## **Product Information Packet**

### **CL3507**

**.75HP, 1725RPM, 1PH, 60HZ, 56C, 3428LC, TEFC**

Product Detail							
Revision:	K	Status:	PRD/A	Change #:		Proprietary:	No
Type:	AC	Prod Type:	3428LC	Elec. Spec:	34WGY094	CD Diagram:	CD0055
Enclosure	TEFC	Mfg Plant:		Mech Spec:	34G451	Layout:	34LYG451
Frame:	56C	Mounting:	F1	Poles:	04	Created Date:	
Base:	RG	Rotation:	R	Insulation:	B	Eff. Date:	06-16-2008
Leads:	6#18					Replaced By:	
Nameplate NP1256L							
CAT.NO.	CL3507						
SPEC.	34G451Y094						
HP	.75						
VOLTS	115/230						
AMP	8.4/4.2						
RPM	1725						
FRAME	56C	HZ	60	PH	1		
SER.F.	1.25	CODE	J	DES	N	CLASS	B
NEMA-NOM-EFF	72	PF	78				
RATING	40C AMB-CONT						
CC		USABLE AT 208V	5.4				
DE	6203	ODE	6203				
ENCL	TEFC	SN					
	SFA 10/5						

<b>Parts List</b>			
<b>Product ID</b>	<b>Description</b>	<b>Quantity</b>	<b>List Price</b>
SA079725	SA 34G451Y094	1.000	245.00
RA073150	RA 34G451Y094	1.000	204.00
OC3020F12SP	CYL OIL CAP 20MFD/370V	1.000	24.00
EC1270A02SP	ELEC CAP, 270-324 MFD, 125V, 1.48D X 3.	1.000	15.00
NS2512A01	INSULATOR, CONDUIT BOX X X	1.000	2.00
34CB3002A	CB CAST W/.88 DIA HOLE	1.000	13.00
34GS1029A01	GASKET, CONDUIT BOX	1.000	2.00
51XB1016A07	10-16 X 7/16 HXWSSLD SERTYB	2.000	2.00
11XW1032G06	10-32 X .38, TAPTITE II, HEX WSHR SLTD U	1.000	2.00
51XW0832A07	8-32 X .44, TAPTITE II, HEX WSHR SLTD SE	2.000	2.00
34EP3102A01SP	FR ENDPLATE, MACH	1.000	68.00
34CB3801	CAPACITOR BOX, DIE CAST	1.000	16.00
34GS3002	GASKET, CAPACITOR BOX	1.000	2.00
51XB1214A08	12-14 X 1/2HX WS SL SR TYBX	2.000	2.00
HW5100A03SP	WAVY WASHER (W1543-017)	1.000	2.00
34EP3300A24SP	PU ENDPLATE, MACH	1.000	63.00
51XN1032A20	10-32 X 1 1/4 HX WS SL SR	2.000	2.00
34FN3002A01SP	EXTERNAL FAN, PLASTIC, .637/.639 HUB W/	1.000	14.00
34FH4002A01SP	IEC FH NO GREASER	1.000	23.00
51XW1032A06	10-32 X .38, TAPTITE II, HEX WSHR SLTD S	3.000	3.00
34CB4517	CB LID 4 MTG HOLES .22 DIA STAMPED, FOR	1.000	5.00
34GS1031A01	GASKET, FLAT CONDUIT BOX LID (LEXIDE)	1.000	2.00
51XW0832A07	8-32 X .44, TAPTITE II, HEX WSHR SLTD SE	4.000	2.00
HW2501D13SP	KEY, 3/16 SQ X 1.375	1.000	2.00

<b>Parts List (continued)</b>			
<b>Product ID</b>	<b>Description</b>	<b>Quantity</b>	<b>List Price</b>
HA7000A04	KEY RETAINER 0.625 DIA SHAFTS	1.000	2.00
34GS5003A01	FOAM SLEEVE, ID = 2 1/16" X 4 3/8"	1.000	2.00
MG1000G27	PAINT- S9282E CHARCOAL GREY	0.014	4,000.00
10XF0440S02	04-40 X 1/8 TYPE F HEX HD STAINLESS STIC	2.000	2.00
SP5056A18	MODEL 34 TYPE LC STATIONARY SWITCH WITH	1.000	27.00
HA3100A37	THRUBOLT 10-32 X 8.500	4.000	2.00
LB1125C01	STD (STOCK) CARTON LABEL BALDOR WITH FLA	1.000	2.00
LC0001A01	CONN LABEL / WARNING LABEL (LC0001 / LB1	1.000	2.00
NP1256L	NP STD LASER ENGRAVED, UL CSA CC, W/O TH	1.000	3.00
34PA1005	PACKING GROUP, BALDOR	1.000	10.00
LB5040	INSTRUCTION TAG, AC & DC	1.000	2.00

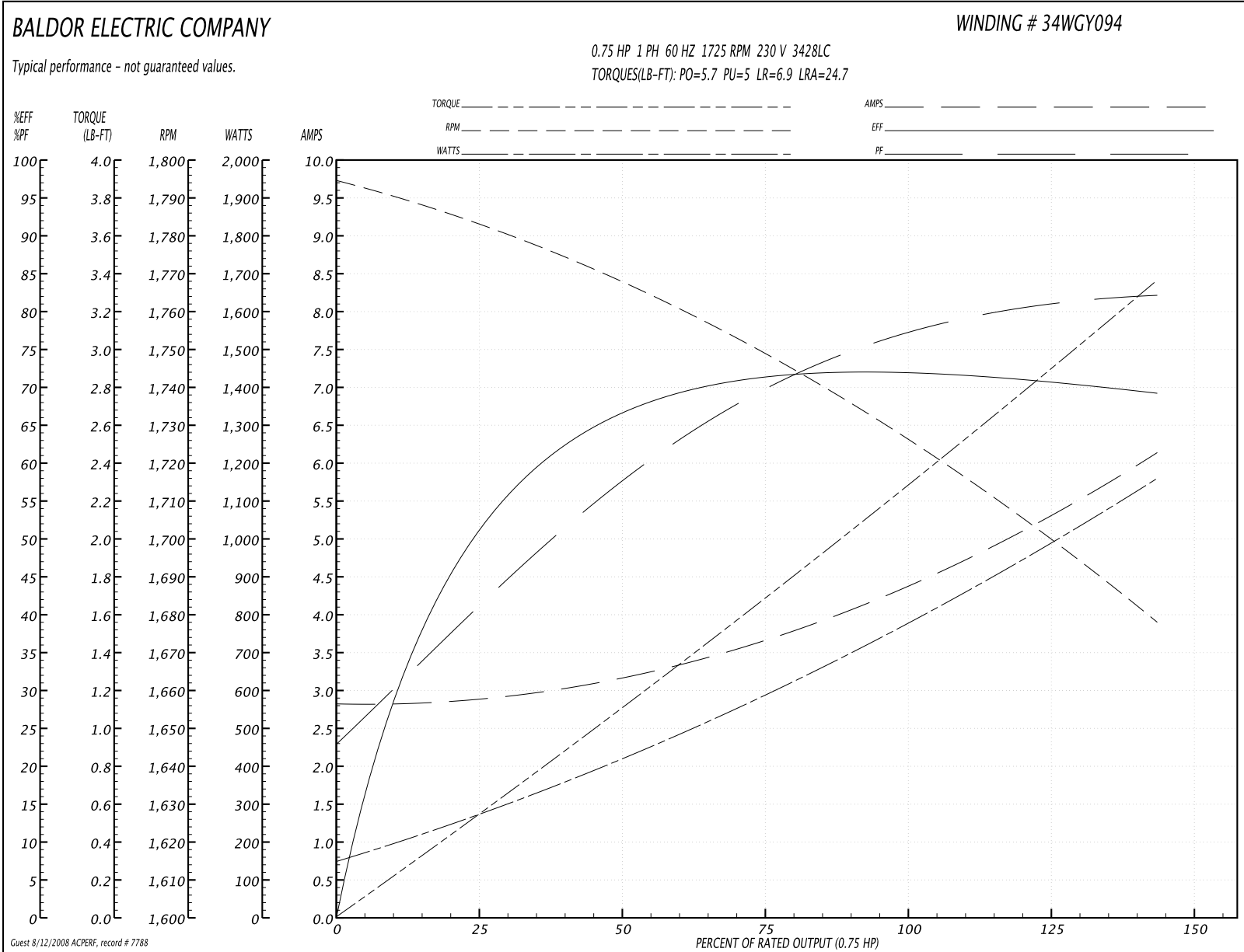
**Performance Data at 230V, 60Hz, 0.75HP (Typical performance - Not guaranteed values)**
**General Characteristics**

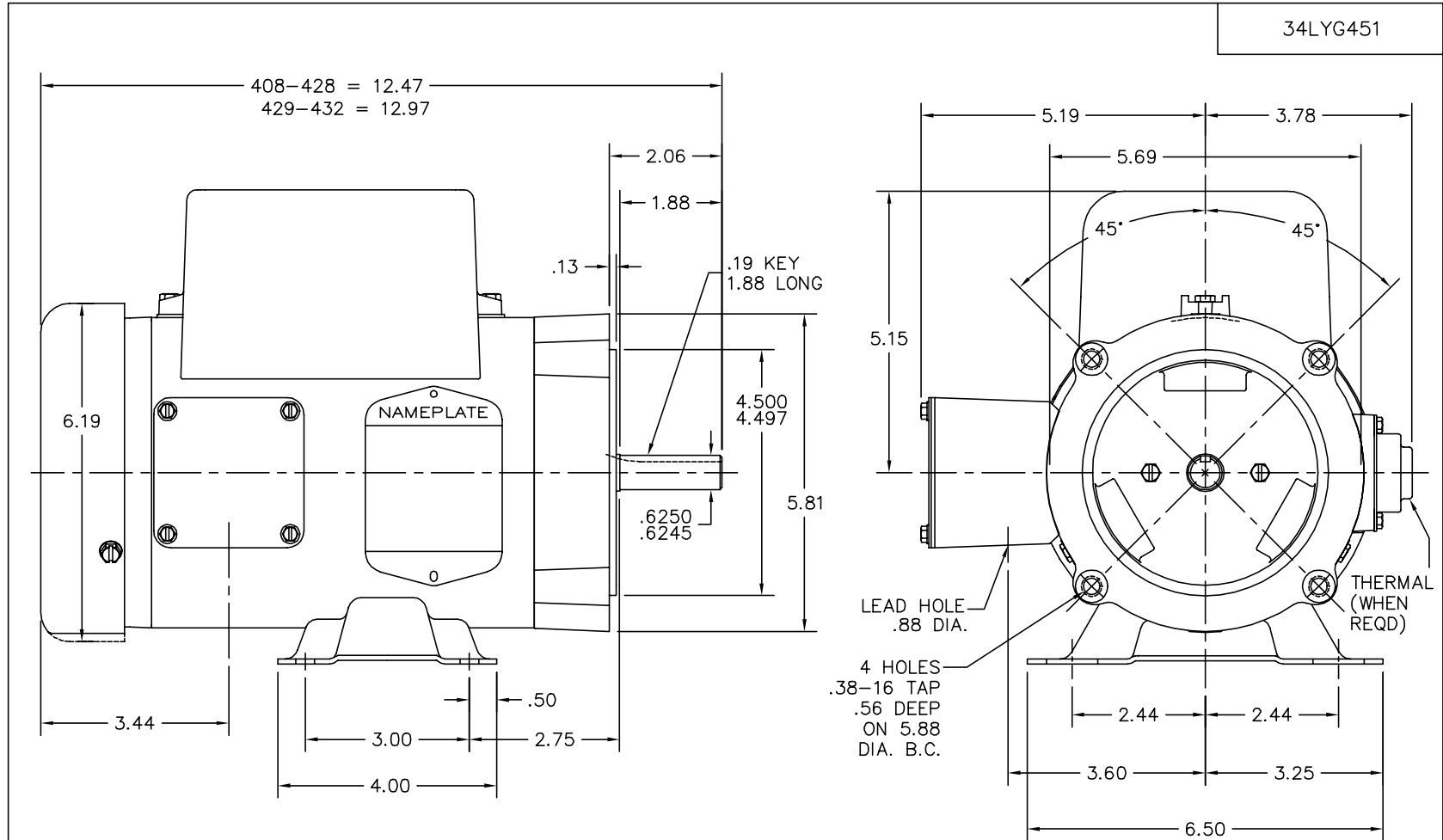
<b>Full Load Torque:</b>	2.25 LB-FT	<b>Start Configuration:</b>	DOL
<b>No-Load Current:</b>	2.8 Amps	<b>Break-Down Torque:</b>	5.7 LB-FT
<b>Line-line Res. @ 25°C.:</b>	3.22 Ohms A Ph / 1.76 Ohms B Ph	<b>Pull-Up Torque:</b>	5.0 LB-FT
<b>Temp. Rise @ Rated Load:</b>	71°C	<b>Locked-Rotor Torque:</b>	6.9 LB-FT
<b>Temp. Rise @ S.F. Load:</b>	89°C	<b>Starting Current:</b>	24.7 Amps

**Load Characteristics**

<b>% of Rated Load:</b>	<b>25</b>	<b>50</b>	<b>75</b>	<b>100</b>	<b>125</b>	<b>150</b>	<b>S.F.</b>
<b>Power Factor:</b>	43.0	57.0	70.0	78.0	82.0	86.0	82.0
<b>Efficiency:</b>	50.2	66.1	71.1	72.3	72.0	68.6	72.0
<b>Speed:</b>	1780.0	1766.0	1749.0	1729.0	1707.0	1675.0	1707.0
<b>Line Amperes:</b>	2.9	3.2	3.7	4.3	5.1	6.2	5.1

Performance Graph at 230V, 60Hz, 0.75HP (Typical performance - Not guaranteed values)





CUSTOMER IS RESPONSIBLE FOR DETERMINING THAT MOTOR PERFORMANCE IS SUITABLE IN THE APPLICATION.

REV. DESC: ADD KOBX LOCATION DIMENSION

REV. LTR: B

VERSION: 02

TDR: 000000450943

34LYG451

FILE: \CVD\00001\438

REVISED: 06:58:37 12/06/2007

MTL: -

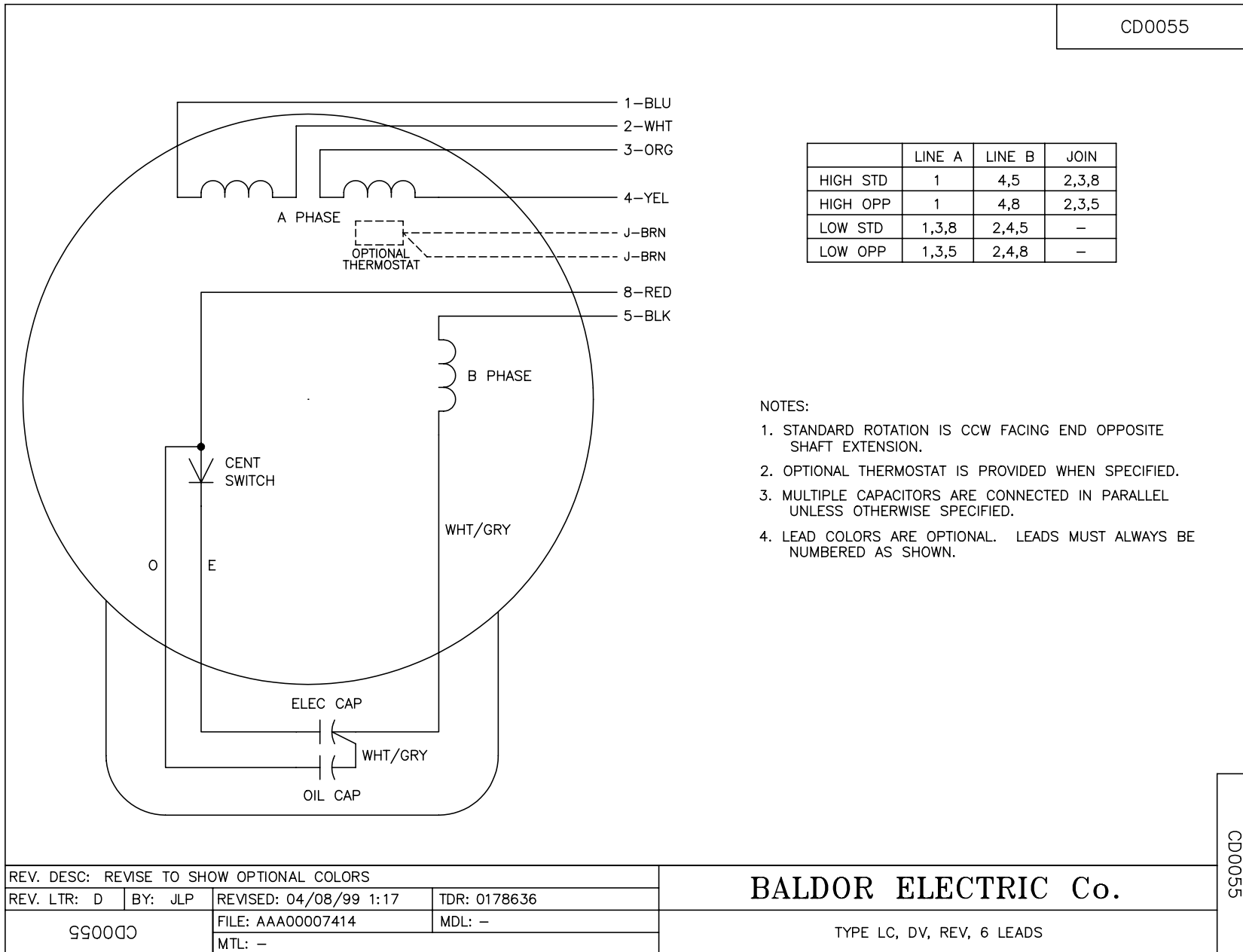
BY: ENCHECO

**Baldor • Dodge • Reliance**

SPL HORZ TEFC 34LC NEMA 56C

34LYG451

CD0055



REV. DESC: REVISE TO SHOW OPTIONAL COLORS			
REV. LTR: D	BY: JLP	REVISED: 04/08/99 1:17	TDR: 0178636
99000		FILE: AAA00007414	MDL: -
		MTL: -	

**BALDOR ELECTRIC Co.**

TYPE LC, DV, REV, 6 LEADS

CD0055