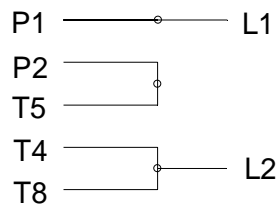
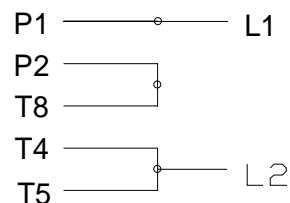


CONNECT:  
START CAPACITORS IN SERIES-PARALLEL.  
RUN CAPACITORS IN PARALLEL

C.W. ROTATION

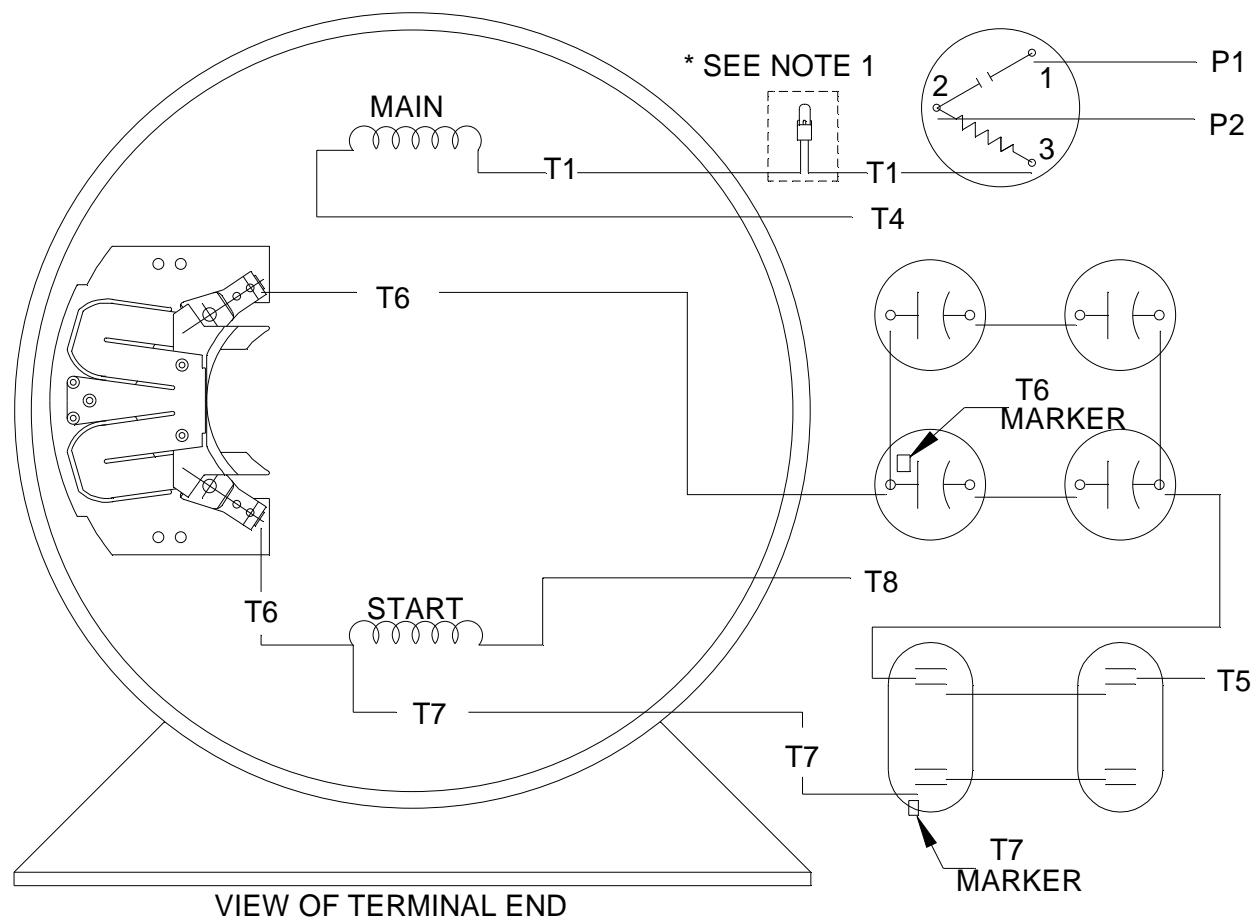


C.C.W. ROTATION



SINGLE VOLTAGE  
CAPACITOR START  
CAPACITOR RUN  
REVERSIBLE

NOTE:  
1. USE PRESURE CONNECTOR  
ONLY IN MT2 PLANT



VIEW OF TERMINAL END

		TOLERANCES UNLESS SPECIFIED		MARATHON ELECTRIC		DRAWN MJD 07-10-1998		
		DEC.	INCHES			CHK	MRB 07-10-1998	
		.X	±.1	TITLE CONNECTION DIAGRAM		APPD	DR 07-13-1998	
		.XX	±.02			SCALE	1=1.25	
		.XXX	±.005	MAT'L.		REF		
01	ADDED PRESSURE CONNECTOR IN MT2 MODEL	NB	10/5/2011			AK	.XXXX	±.0005
NO.	REVISION	BY & DATE	CHK	ANG	±7'30'	FINISH	PREV	
THIS DRAWING IN DESIGN AND DETAIL IS OUR PROPERTY AND MUST NOT BE USED EXCEPT IN CONNECTION WITH OUR WORK ALL RIGHTS OF DESIGN AND INVENTION ARE RESERVED THIS IS AN ELECTRONICALLY GENERATED DOCUMENT - DO NOT SCALE THIS PRINT			RFP	CAD FILE EE9048PB		SIZE	DRAWING NO.	REV.
			DIST			A	A-EE9048PB	01

