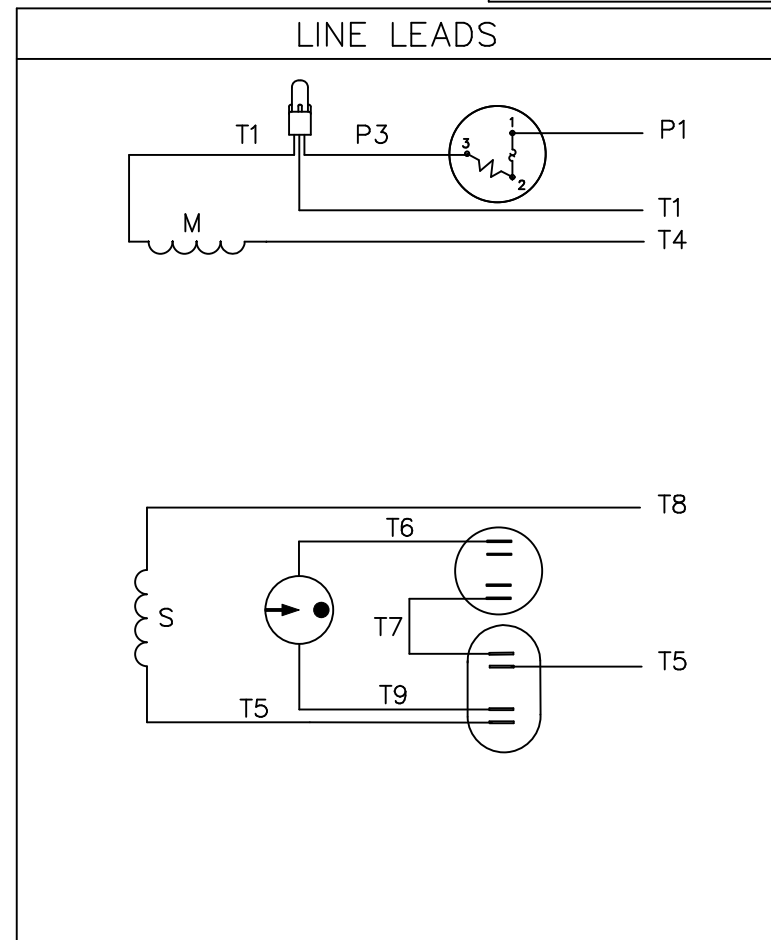
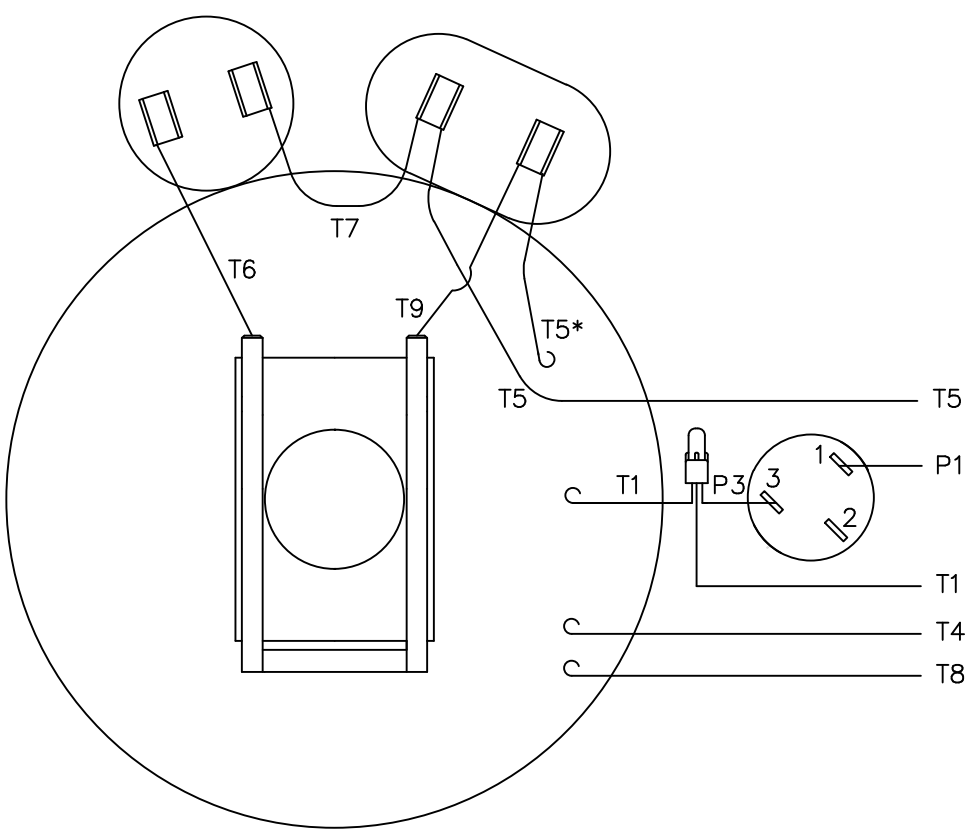


VIEW FROM OUTSIDE OF MOTOR AT SWITCH END.



ROTATION FACING LEAD END	L1	L2	JOIN
C.C.W.	P1	T4, T5	T1, T8
C.W.	P1	T4, T8	T1, T5

* THIS LEAD MAY BE WHITE

				TOLERANCES UNLESS SPECIFIED	
				DEC.	INCHES
				.X	±.1
				.XX	±.01
				.XXX	±.005
				.XXXX	±.0005
NO.	REVISION	BY & DATE	CHK	ANG	±1/2°

REGAL-BELOIT <i>Motor Technologies</i>		DRAWN	LST 9/9/03
TITLE		CHK	KH 9/9/03
EXTERNAL WIRING DIAGRAM		APPD	
TYPE "K" W/ PROTECTOR		SCALE	1=1
MAT'L.		REF	
DECAL - 004015		FMF	139045
FINISH		PREV	

THIS DRAWING IN DESIGN AND DETAIL IS OUR PROPERTY AND MUST NOT BE USED EXCEPT IN CONNECTION WITH OUR WORK ALL RIGHTS OF DESIGN AND INVENTION ARE RESERVED THIS IS AN ELECTRONICALLY GENERATED DOCUMENT - DO NOT SCALE THIS PRINT		RFP	CAD FILE	00505603ME	SIZE	DRAWING NO.	REV.
		DIST	BRF-NLV		A	005056-03ME	