

BALDOR® • RELIANCE

Product Information Packet

ELECTRIC MOTOR WHOLESAL.COM

M7056T

20//15HP,1760//1460RPM,3PH,60//50HZ,256T

| Part Detail | | | | | | | |
|-------------|------|----------------|-------|-------------|----------|---------------|------------|
| Revision: | L | Status: | PRD/A | Change #: | | Proprietary: | No |
| Type: | AC | Prod. Type: | 0942M | Elec. Spec: | 09WGZ513 | CD Diagram: | CD0005 |
| Enclosure: | XPFC | Mfg Plant: | | Mech. Spec: | 09E270 | Layout: | 09LYE270 |
| Frame: | 256T | Mounting: | F1 | Poles: | 04 | Created Date: | 05-22-2009 |
| Base: | RG | Rotation: | R | Insulation: | B | Eff. Date: | 03-24-2014 |
| Leads: | 9#12 | | | | | Replaced By: | |
| Literature: | | Elec. Diagram: | | | | | |

Nameplate NP1426XPSL

| | | | |
|----------------|------------------|--------------|----------|
| NO. | | CC | 010A |
| SER. | | | |
| SPEC. | 09E270Z513H1 | | |
| CAT.NO. | | | |
| HP | 20//15 | T. CODE | T3C |
| VOLTS | 230/460//190/380 | | |
| AMPS | 50/25//46/23 | | |
| RPM | 1760//1460 | | |
| HZ | 60//50 | PH | 3 CL B |
| SER.F. | 1.00 | DES | A CODE G |
| RATING | 40C AMB-CONT | | |
| FRAME | 256T | NEMA-NOM-EFF | 91 |
| USABLE AT 208V | | PF | 83 |
| BLANK | | | |

| Parts List | | |
|---------------|--|----------|
| Part Number | Description | Quantity |
| SA182197 | SA 09E270Z513H1 | 1.000 EA |
| RA170108 | RA 09E270Z513H1 | 1.000 EA |
| 09FN3001C01SP | EXTERNAL FAN, PLASTIC | 1.000 EA |
| MJ5000A01 | SEALANT, CHICO A COMPOUND | 0.031 LB |
| 09CB1000A01SP | CONDUIT BOX, MACH | 1.000 EA |
| 10XN3118K16 | 5/16-18 X 1" GRADE #5, STL, ZINC PLATE | 4.000 EA |
| HW1001A31 | LOCKWASHER 5/16, ZINC PLT.591 OD, .319 I | 4.000 EA |
| WD1000B16 | T&B CX70TN TERMINAL | 1.000 EA |
| 10XN2520K06 | 1/4-20 X 3/8" HX HD SCREWGRADE 5, ZINC P | 1.000 EA |
| HW1001A25 | LOCKWASHER 1/4, ZINC PLT .493 OD, .255 I | 1.000 EA |
| 09EP1700A01 | FR ENDPLATE, MACH | 1.000 EA |
| 10XN3816K28 | 3/8-16 X 1.75 HEX HD CAP SCREW, GRADE 5 | 4.000 EA |
| HW1001A38 | LOCKWASHER 3/8, ZINC PLT .688 OD, .382 I | 4.000 EA |
| HW5100A08 | W3118-035 WVY WSHR (WB) | 1.000 EA |
| HA2002A05 | SPACER, #208 BRG | 1.000 EA |
| 10XN2520K36 | 1/4-20 X 2.25" HX HD SCRWGRADE 5, ZINC P | 4.000 EA |
| HW1001A25 | LOCKWASHER 1/4, ZINC PLT .493 OD, .255 I | 4.000 EA |
| 09EP1707A01 | PU ENDPLATE, MACH | 1.000 EA |
| 10XN3816K28 | 3/8-16 X 1.75 HEX HD CAP SCREW, GRADE 5 | 4.000 EA |
| HW1001A38 | LOCKWASHER 3/8, ZINC PLT .688 OD, .382 I | 4.000 EA |
| 09FH1004A01 | FAN COVER, MACH | 1.000 EA |
| 10XN2520K14 | 1/4-20 X .88 HEX GRD 5 (20001) | 3.000 EA |
| HW1001A25 | LOCKWASHER 1/4, ZINC PLT .493 OD, .255 I | 3.000 EA |
| 09CB1500A01SP | CONDUIT BOX LID, MACH | 1.000 EA |

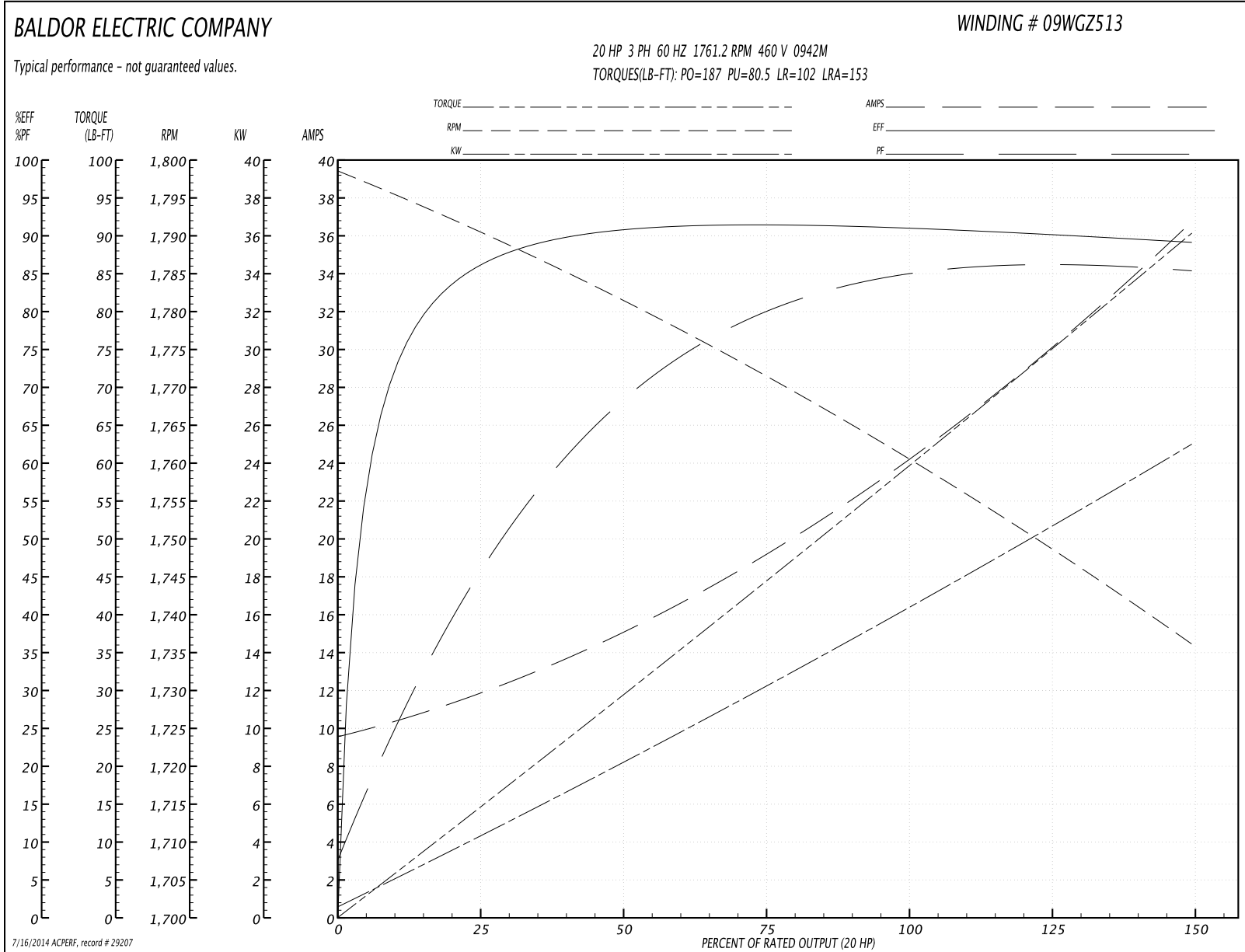
| Parts List (continued) | | |
|------------------------|--|----------|
| Part Number | Description | Quantity |
| 10XN2520K16 | 1/4-20 X 1" HX HD SCRW GRADE 5, ZINC P | 6.000 EA |
| HW1001A25 | LOCKWASHER 1/4, ZINC PLT .493 OD, .255 I | 6.000 EA |
| HW2501G25 | KEY, 3/8 SQ X 2.875 | 1.000 EA |
| LB1115N | LABEL,LIFTING DEVICE (ON ROLLS) | 1.000 EA |
| LB1073 | ALUM XP CAUTION LABEL | 1.000 EA |
| HW4500A20 | 1/8NPT SL PIPE PLUG | 2.000 EA |
| MJ1000A75 | GREASE, POLYREX EM EXXON (USe 4824-15A) | 0.080 LB |
| HW4500A20 | 1/8NPT SL PIPE PLUG | 2.000 EA |
| HW2500A25 | WOODRUFF KEY USA #1008 #BLOW CARBON STEE | 1.000 EA |
| 51XB1214A20 | 12-14X1.25 HXWSSLD SERTYB | 1.000 EA |
| MG1025G05 | MEDIUM CHARCOAL METALLIC GREY - 789.201 | 0.050 GA |
| 85XU0407S04 | 4X1/4 U DRIVE PIN STAINLESS | 6.000 EA |
| MN416A01 | TAG-INSTAL-MAINT no wire. (100/bx) 8/12 | 1.000 EA |
| LB1119N | WARNING LABEL | 1.000 EA |
| LB1125C01 | STD (STOCK) CARTON LABEL BALDOR WITH FLA | 4.000 EA |
| LC0145B01 | CONNECTION LABEL | 1.000 EA |
| NP1426XPSL | SS XP UL CSA CC CL-I GP-D CL-II GP-F&G | 1.000 EA |
| 40PA1005 | PACKAGING GROUP, 09 STD | 1.000 EA |

Performance Data at 460V, 60Hz, 20.0HP (Typical performance - Not guaranteed values)

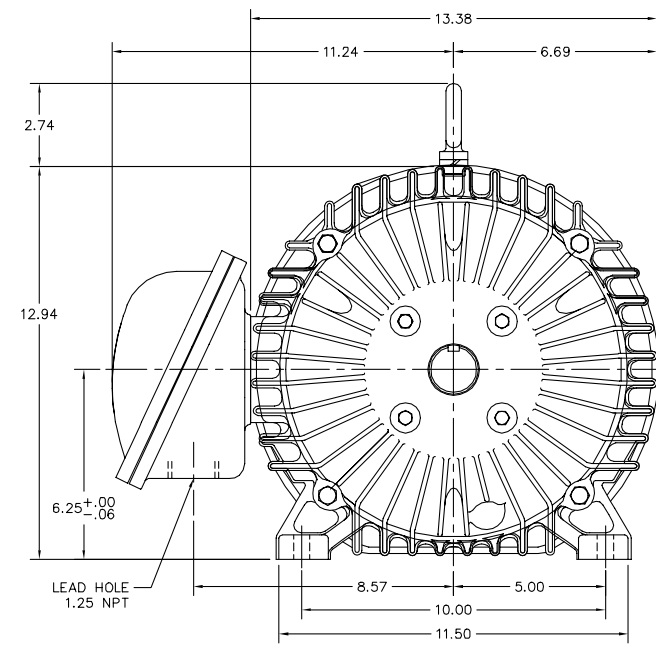
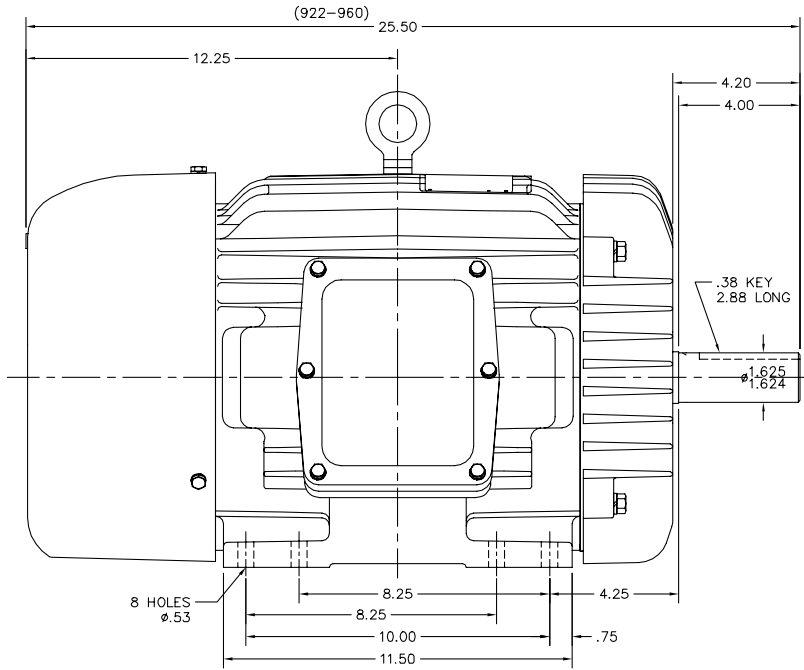
| General Characteristics | | | |
|--------------------------|-----------------------------------|----------------------|-------------|
| Full Load Torque: | 59.4 LB-FT | Start Configuration: | DOL |
| No-Load Current: | 9.94 Amps | Break-Down Torque: | 187.0 LB-FT |
| Line-line Res. @ 25°C.: | 0.51539 Ohms A Ph / 0.0 Ohms B Ph | Pull-Up Torque: | 80.5 LB-FT |
| Temp. Rise @ Rated Load: | 66 C | Locked-Rotor Torque: | 102.0 LB-FT |
| Temp. Rise @ S.F. Load: | | Starting Current: | 153.0 Amps |

| Load Characteristics | | | | | | | |
|----------------------|--------|--------|--------|--------|--------|--------|------|
| % of Rated Load | 25 | 50 | 75 | 100 | 125 | 150 | S.F. |
| Power Factor: | 48.0 | 69.0 | 79.0 | 83.0 | 86.0 | 86.0 | 0.0 |
| Efficiency: | 86.0 | 90.6 | 91.5 | 91.2 | 90.4 | 89.1 | 0.0 |
| Speed: | 1790.6 | 1781.1 | 1771.6 | 1761.2 | 1749.3 | 1735.7 | 0.0 |
| Line Amperes: | 11.3 | 14.8 | 19.2 | 24.5 | 30.0 | 36.6 | 0.0 |

Performance Graph at 460V, 60Hz, 20.0HP Typical performance - Not guaranteed values



09LYE270



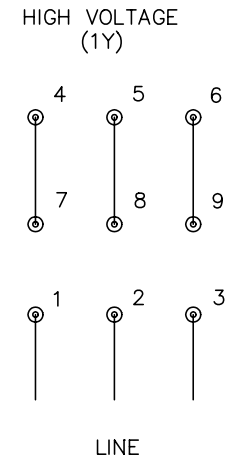
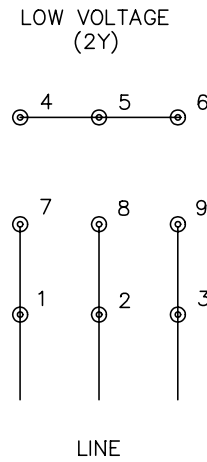
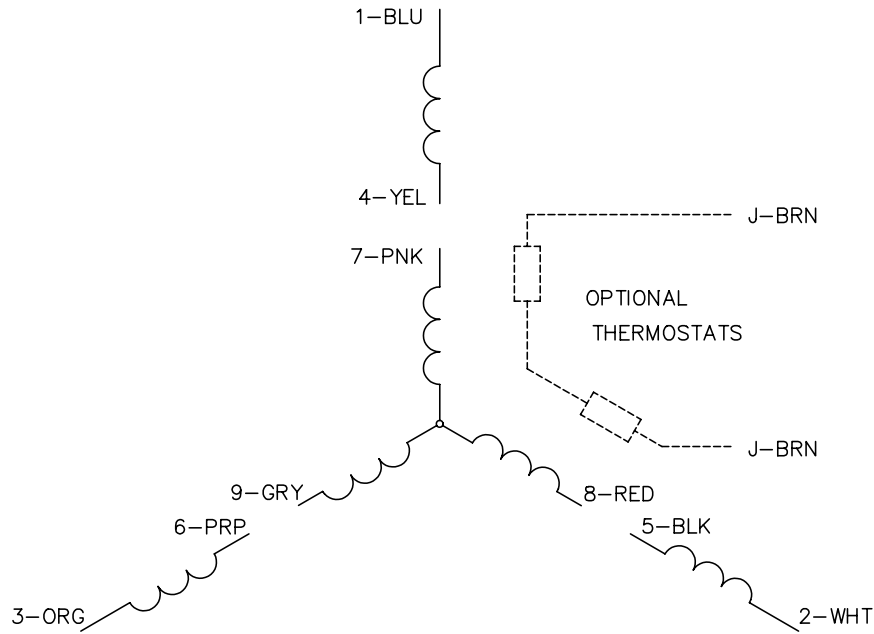
09LYE270

CUSTOMER IS RESPONSIBLE FOR DETERMINING THAT BALDOR'S PRODUCT WILL PERFORM SUITABLY IN THE INTENDED APPLICATION.

| | | |
|--------------------------------|------------------------------|-------------------|
| REV. DESC: UPDATED DESCRIPTION | | |
| REV. LTR: G | VERSION: 04 | TDR: 000000855922 |
| FILE: \AAA\00000\626 | REVISED: 08:34:04 05/30/2014 | BY: ENNINDO |
| MTL: - | | |

BALDOR
 HORZ XPFC 254-6T CL.I GP.D,CL.II GP.F&G
 SH 1 of 1

CD0005



NOTES:

1. INTERCHANGE ANY TWO LINE LEADS TO REVERSE ROTATION.
2. OPTIONAL THERMOSTATS ARE PROVIDED WHEN SPECIFIED.
3. ACTUAL NUMBER OF INTERNAL PARALLEL CIRCUITS MAY BE A MULTIPLE OF THOSE SHOWN ABOVE.
4. LEAD COLORS ARE OPTIONAL. LEADS MUST ALWAYS BE NUMBERED AS SHOWN.

| | | | |
|---|---------|-------------------------|--------------|
| REV. DESC: REVISE TO SHOW OPTIONAL COLORS | | | |
| REV. LTR: E | BY: JLP | REVISED: 01/19/99 10:15 | TDR: 0171435 |
| 9000D | | FILE: AAA00005140 | MDL: - |
| | | MTL: - | |

BALDOR ELECTRIC Co.

3PH, DV, 9 LEADS

CD0005