

BALDOR® • *RELIANCE*

Product Information Packet

JM3555

2HP,3450RPM,3PH,60HZ,56J,3524M,TEFC,F1

Product Detail							
Revision:	V	Status:	PRD/A	Change #:		Proprietary:	No
Type:	AC	Prod Type:	3524M	Elec. Spec:	35WGW728	CD Diagram:	CD0005
Enclosure	TEFC	Mfg Plant:		Mech Spec:	35F084	Layout:	35LYF084
Frame:	56J	Mounting:	F1	Poles:	02	Created Date:	06-21-2007
Base:	N	Rotation:	R	Insulation:	B	Eff. Date:	11-08-2007
Leads:	9#18					Replaced By:	
Nameplate NP1256L							
CAT.NO.	JM3555						
SPEC.	35F84W728						
HP	2						
VOLTS	230/460						
AMP	5.4/2.7						
RPM	3450						
FRAME	56J	HZ	60	PH	3		
SER.F.	1.20	CODE	K	DES	B	CLASS	B
NEMA-NOM-EFF	80	PF	87				
RATING	40C AMB-CONT						
CC		USABLE AT 208V	7				
DE	6205	ODE	6203				
ENCL	TEFC	SN					
	SFA 6.6/3.3						

Parts List			
Product ID	Description	Quantity	List Price
SA024917	SA 35F84W728	1.000	250.00
RA020967	RA 35F84W728	1.000	241.00
NS2512A01	INSULATOR, CONDUIT BOX X X	1.000	2.00
35CB3007	35 CB CASTING W/.88 DIA. LEAD HOLE	1.000	27.00
36GS1000SP	GASKET-CONDUIT BOX, .06 THICK #SV-330 LE	1.000	5.00
51XB1016A07	10-16 X 7/16 HXWSSLD SERTYB	2.000	2.00
11XW1032G06	10-32 X .38, TAPTITE II, HEX WSHR SLTD U	1.000	2.00
35EP3100M02	FREP TEFC 203 BRG W/O GRSR (RAISED FH MT	1.000	28.00
HW5100A03SP	WAVY WASHER (W1543-017)	1.000	2.00
35EP3300A02SP	PU ENDPLATE, MACH	1.000	81.00
51XN1032A20	10-32 X 1 1/4 HX WS SL SR	2.000	2.00
51XB1214A16	12-14X1.00 HXWSSLD SERTYB	1.000	2.00
WD4100A10	465 NIAGARA PLUG (SO ELEC),FOR 1.093 DIA	1.000	2.00
35FH4005A55	IEC FH NO GRSR,3 MTG HOLE NO DIMPLES, 1.	1.000	21.00
51XW1032A06	10-32 X .38, TAPTITE II, HEX WSHR SLTD S	3.000	3.00
35CB4510	35 CB LID	1.000	2.00
35GS1030	35 GS FOR CB LID - LEXIDE	1.000	2.00
51XW0832A07	8-32 X .44, TAPTITE II, HEX WSHR SLTD SE	4.000	2.00
10XF0440S02	04-40 X 1/8 TYPE F HEX HD STAINLESS STIC	2.000	2.00
MJ1000A02	GREASE, POLYREX EM EXXON	0.050	10.00
35FN3002A05SP	EXTERNAL FAN, PLASTIC, FOR .637 DIA JOUR	1.000	22.00
MG1000G27	PAINT- S9282E CHARCOAL GREY	0.017	4,000.00
LB1009	LABEL,ROTATION DIRECTION (ON ROLLS)	1.000	2.00
HA3100A15	THRUBOLT 10-32 X 8.375	4.000	2.00

Parts List (continued)			
Product ID	Description	Quantity	List Price
LB1125C01	STD (STOCK) CARTON LABEL BALDOR WITH FLA	1.000	2.00
LC0005E01	CONN.DIA./WARNING LABEL (LC0005/LB1119)	1.000	2.00
NP1256L	NP STD LASER ENGRAVED, UL CSA CC, W/O TH	1.000	3.00
35PA1066	PACKING GROUP COMBINED PRINT	1.000	13.00
PK3082	STYROFOAB CRADLE	1.000	2.00

Performance Data at 460V, 60Hz, 2.0HP (Typical performance - Not guaranteed values)

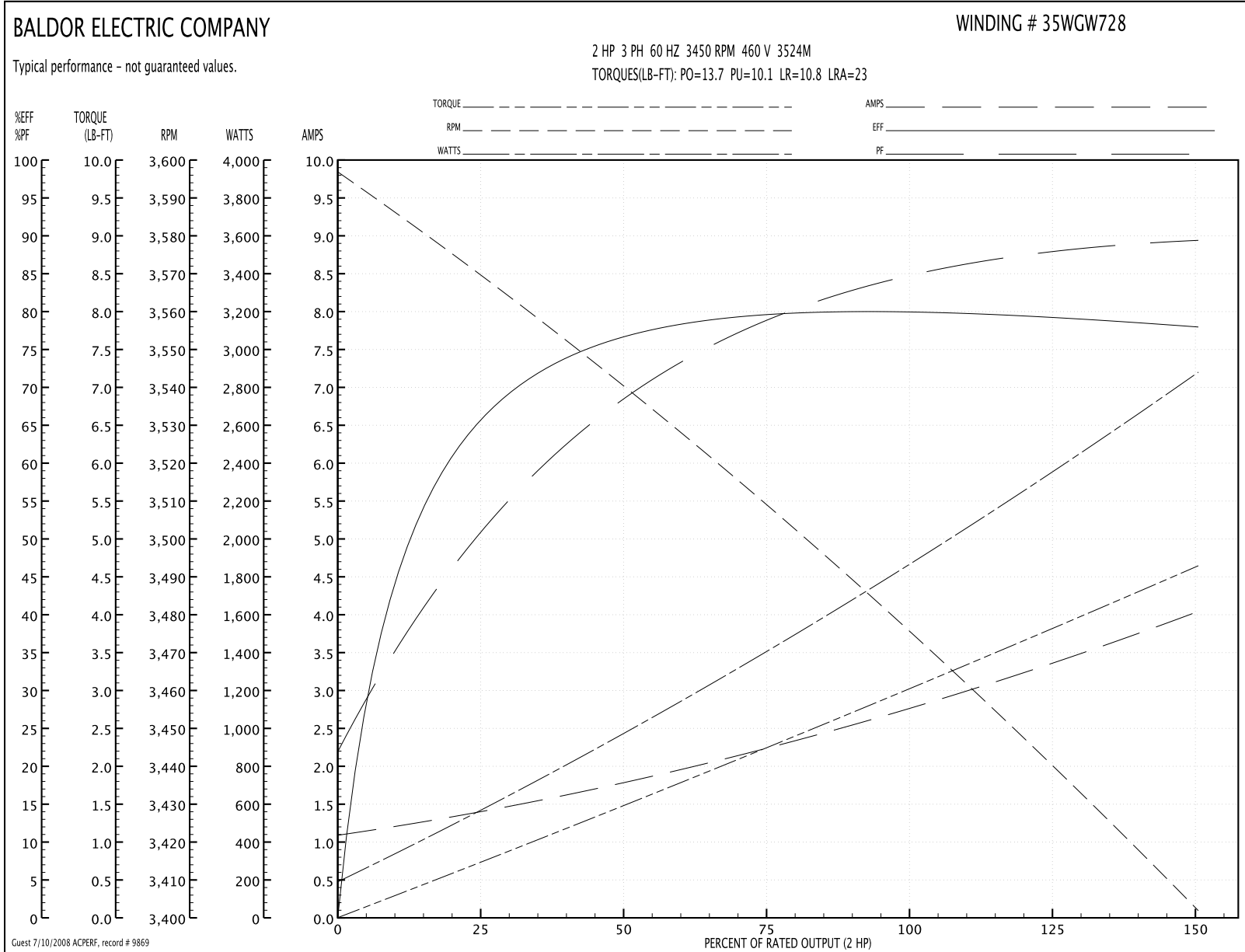
General Characteristics

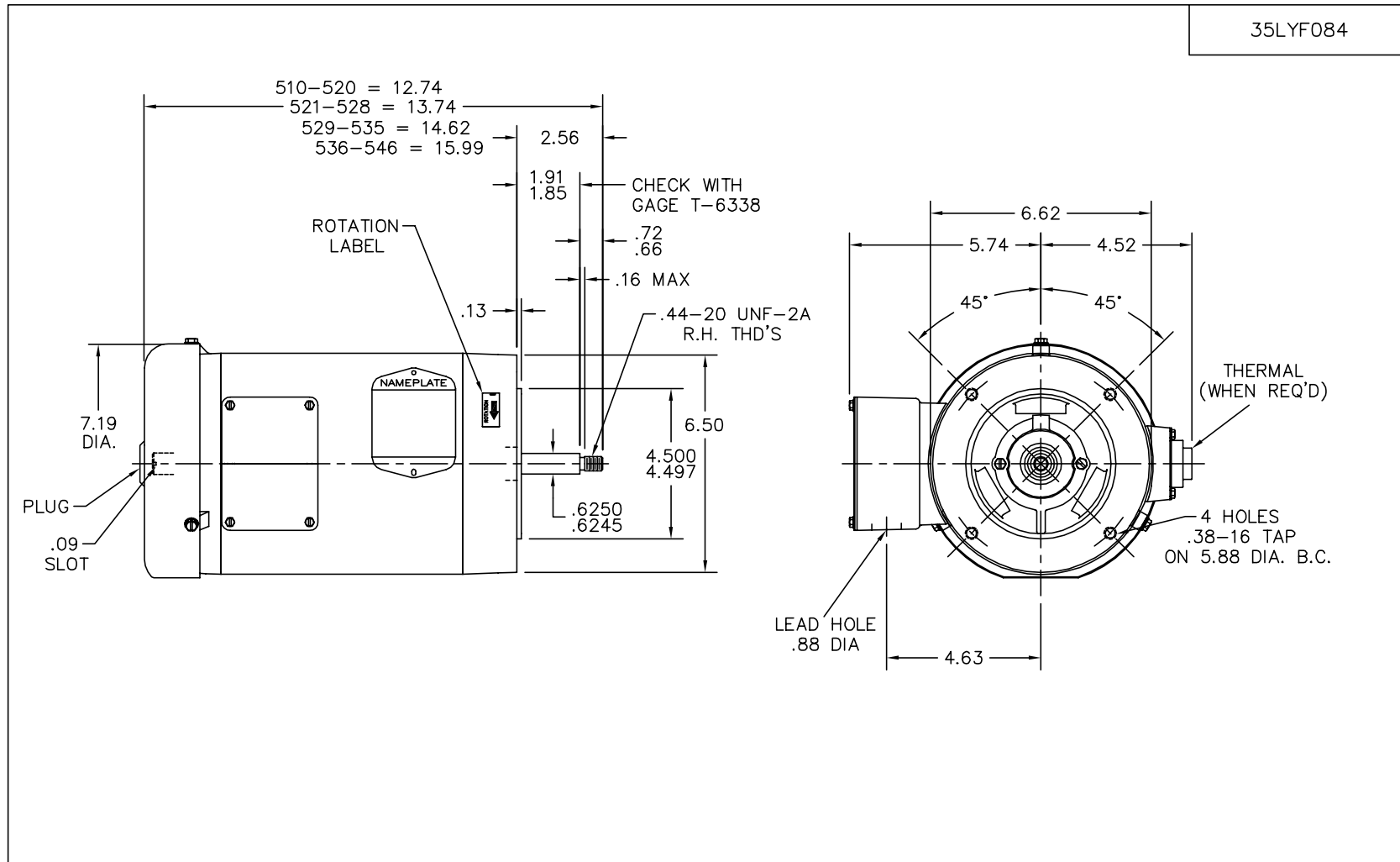
Full Load Torque:	3.1 LB-FT	Start Configuration:	DOL
No-Load Current:	1.12 Amps	Break-Down Torque:	13.7 LB-FT
Line-line Res. @ 25°C.:	7.8 Ohms A Ph / 0.0 Ohms B Ph	Pull-Up Torque:	10.1 LB-FT
Temp. Rise @ Rated Load:	62°C	Locked-Rotor Torque:	10.8 LB-FT
Temp. Rise @ S.F. Load:	76°C	Starting Current:	23.0 Amps

Load Characteristics

% of Rated Load:	25	50	75	100	125	150	S.F.
Power Factor:	56.0	73.0	80.0	84.0	86.0	88.0	86.0
Efficiency:	66.0	77.0	80.0	80.0	79.0	78.0	79.2
Speed:	3568.0	3534.0	3508.0	3472.0	3440.0	3400.0	3446.0
Line Amperes:	1.36	1.84	2.28	2.86	3.39	4.04	3.28

Performance Graph at 460V, 60Hz, 2.0HP (Typical performance - Not guaranteed values)





CUSTOMER IS RESPONSIBLE FOR DETERMINING THAT MOTOR PERFORMANCE IS SUITABLE IN THE APPLICATION.

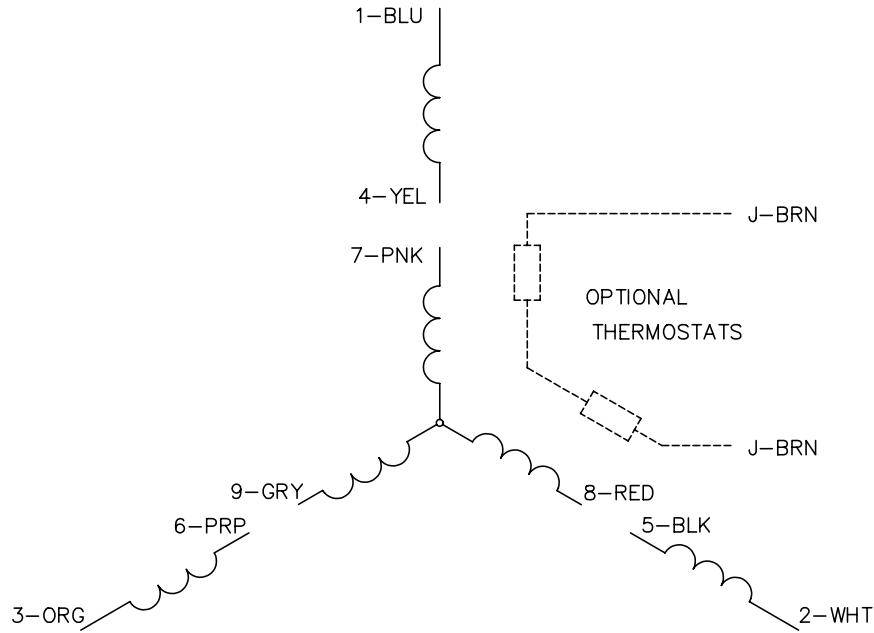
REV. DESC: UPDATE FREP AND FH PER CHG ON TDR 349947		
REV. LTR: Q	VERSION: 01	TDR: 000000350011
480LY084	FILE: \AAA\00008\273	REVISED: 14: 44: 57 08/01/2005
	MTL: -	BY: ENODIDO

BALDOR ELECTRIC Co.

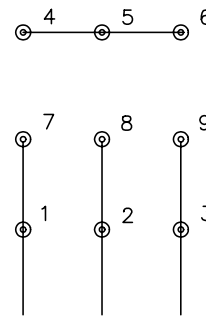
STD VERT 56J TEFC 35M

35LYF084

CD0005

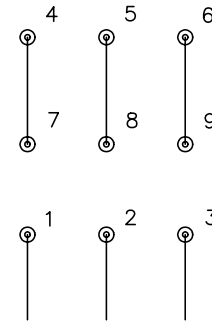


LOW VOLTAGE
(2Y)



LINE

HIGH VOLTAGE
(1Y)



LINE

NOTES:

1. INTERCHANGE ANY TWO LINE LEADS TO REVERSE ROTATION.
2. OPTIONAL THERMOSTATS ARE PROVIDED WHEN SPECIFIED.
3. ACTUAL NUMBER OF INTERNAL PARALLEL CIRCUITS MAY BE A MULTIPLE OF THOSE SHOWN ABOVE.
4. LEAD COLORS ARE OPTIONAL. LEADS MUST ALWAYS BE NUMBERED AS SHOWN.

REV. DESC: REVISE TO SHOW OPTIONAL COLORS			
REV. LTR: E	BY: JLP	REVISED: 01/19/99 10:15	TDR: 0171435
9000D		FILE: AAA00005140	MDL: -
		MTL: -	

BALDOR ELECTRIC Co.

3PH, DV, 9 LEADS

CD0005