

BALDOR® • RELIANCE

Product Information Packet

ELECTRIC MOTOR WHOLESAL.COM

CD7503

3HP,1750RPM,DC,215C,3668D,TEFC,F1,N

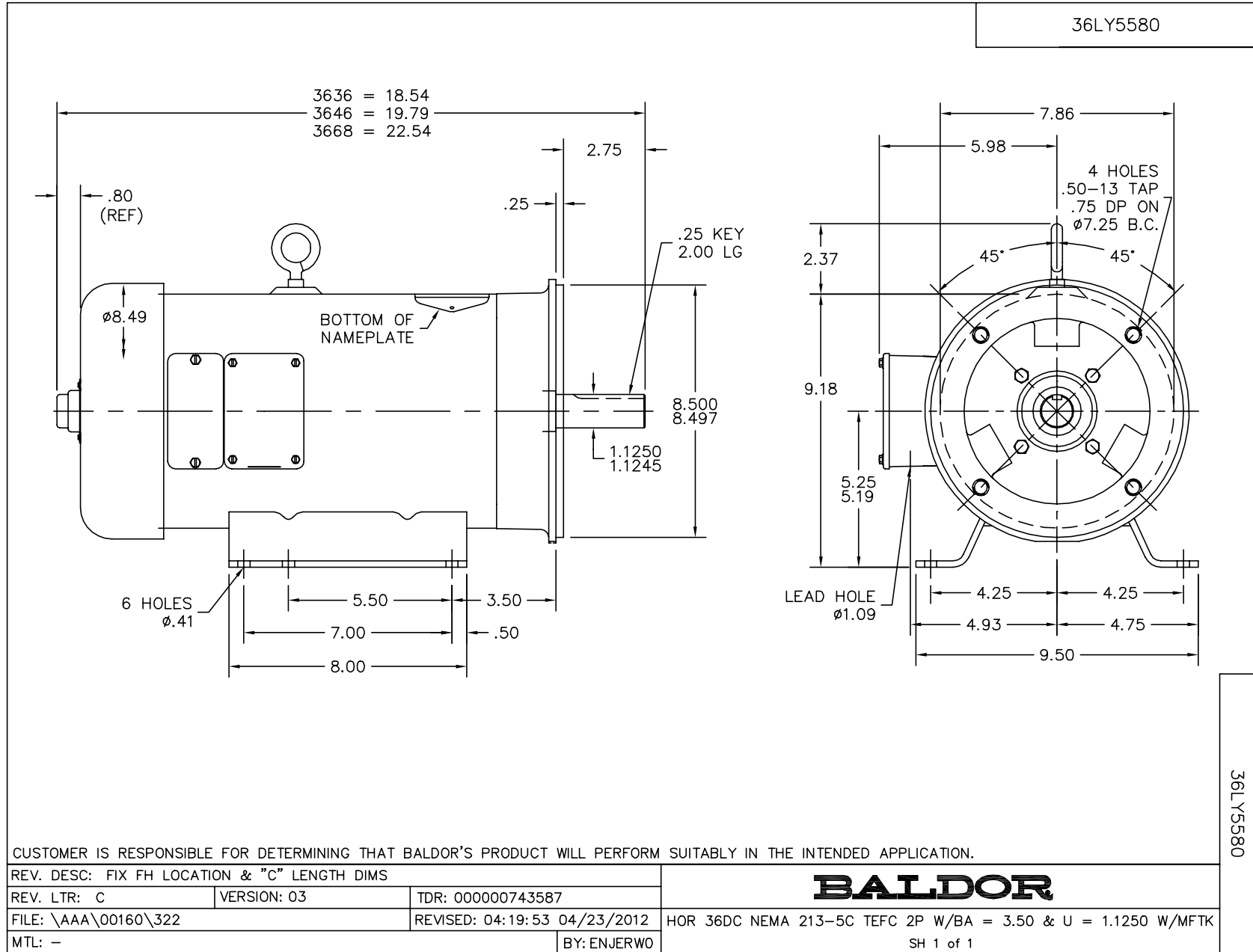
Part Detail							
Revision:	F	Status:	PRD/A	Change #:		Proprietary:	No
Type:	DC	Prod. Type:		Elec. Spec:	36WGZ136	CD Diagram:	
Enclosure:	TEFC	Mfg Plant:		Mech. Spec:	36-5580	Layout:	
Frame:	215C	Mounting:	F1	Poles:	2///	Created Date:	11-18-2008
Base:	RG	Rotation:	R	Insulation:	F	Eff. Date:	01-28-2013
Field Type:	Shunt	Literature:		Elec. Diagram:		Replaced By:	

Nameplate NP0111L			
CAT.NO.	CD7503		
SPEC.	36-5580Z136G1		
HP	3	ENCL	TEFC
RPM	1750		
FRAME	215C	TYPE	3668D
ARM V	180	ARM A	14.7
FLD V	200/100	FLD A	.6/1.2
INSUL	F	AMB.	40
DUTY	CONT	SUPPLY	K
BRG/DE	6207	BRG/ODE	6205
BRUSHES	2/BP5125A01		
		BLANK	
SER.			
BLANK			
APRV-CSA		APRV-UL	

Parts List		
Part Number	Description	Quantity
SA177205	SA 36-5580Z136G1	1.000 EA
AA013605	AA 36-5580Z136G1	1.000 EA
BP5125A01SP	CARBON BRUSH - SERRATED H45 - FOR 36D	1.000 EA
BP2000A01SP	BRUSH SPRING FOR DC MOTORS	1.000 EA
LB1115	LABEL,LIFTING DEVICE	1.000 EA
36CB3000SP	CONDUIT BOX, CAST	1.000 EA
36GS1000SP	GASKET-CONDUIT BOX, .06 THICK #SV-330 LE	1.000 EA
51XB1016A07	10-16 X 7/16 HXWSSLD SERTYB	2.000 EA
11XW1032G06	10-32 X .38, TAPTITE II, HEX WSHR SLTD U	1.000 EA
HW3001B01	003SS CUP WASHER, FOR #8 SCREW	1.000 EA
36EP3300A03	FR ENDPLATE, MACH	1.000 EA
HW5100A05	WVY WSHR F/205 & 304 BRGS	1.000 EA
HW5010U49	RET. RING 5100-143 TRU ARC	1.000 EA
36EP1307A31	PU EP ENCL 207 BRG 182-215TC W/NO TS, NO	1.000 EA
10XN2520A28	1/4-20X 1 3/4 HEX HD	4.000 EA
HW1001A25	LOCKWASHER 1/4, ZINC PLT .493 OD, .255 I	4.000 EA
10XN2520A12	O1/4-20X 3/4 HEX HEAD CAP	2.000 EA
HW1000A25	1/4 SAE FLAT WASHER (FS)	2.000 EA
HW1001A25	LOCKWASHER 1/4, ZINC PLT .493 OD, .255 I	2.000 EA
36FN3000A01SP	EXFN, PLASTIC, 7.00 OD, .912 ID	1.000 EA
51XB1214A16	12-14X1.00 HXWSSLD SERTYB	1.000 EA
36FH5000A11	FAN COVER/TACH. ACC. ASSY.08 45823107	1.000 EA
51XW1032A06	10-32 X .38, TAPTITE II, HEX WSHR SLTD S	3.000 EA
36CV4000	INSPECTION COVER, BRUSH Z	2.000 EA

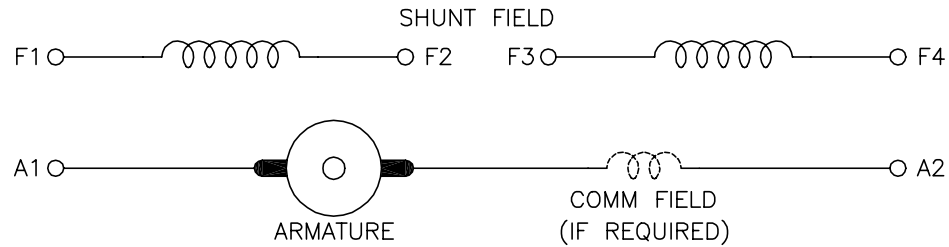
Parts List (continued)		
Part Number	Description	Quantity
36GS1016	GASKET, BRUSH INSP COVER X	2.000 EA
51XW1032A06	10-32 X .38, TAPTITE II, HEX WSHR SLTD S	4.000 EA
35CB4514	35 LIPPED CB LID	1.000 EA
36GS1001SP	GASKET, CONDUIT BOX LID, .06 THICK #SV-3	1.000 EA
51XW1032A06	10-32 X .38, TAPTITE II, HEX WSHR SLTD S	4.000 EA
HW2501E18	KEY, 1/4 SQ X 2.000	1.000 EA
HA7000A02	KEY RETAINER RING, 1 1/8 DIA, 1 3/8 DIA	1.000 EA
MG1000G27	PAINT- S9282E CHARCOAL GREY	0.022 GA
10XF0440S02	04-40 X 1/8 TYPE F HEX HD STAINLESS STIC	2.000 EA
36RK5002SP	ROCKERARM ASSY	1.000 EA
HA3101A35	THRUBOLT- 1/4-20 X 16.125	4.000 EA
LB1119	WARNING LABEL	1.000 EA
LB1125C01	STD (STOCK) CARTON LABEL BALDOR WITH FLA	1.000 EA
LC0860	CONN. DIAGRAM-DC(SHUNT WOUND MOTOR)	1.000 EA
LB5040	INSTRUCTION TAG, AC & DC	1.000 EA
NP0111L	NP STD LASER ENGRAVED DC MOTORS, UL CSA	1.000 EA
37PA1016	PACKAGING GROUP	1.000 EA

Accessories		
Part Number	Description	Multiplier
TK7500	TEFC TACH MTG. CONVERSION KIT	A8



SHUNT WOUND

CD0860C01



CONNECTION	DIRECTION OF ROTATION			
	CWDE		CCWDE	
	POS TERM (+)	NEG TERM (-)	POS TERM (+)	NEG TERM (-)
HIGH VOLTAGE	A1 F1 CONNECT F2 & F3	A2 F4 CONNECT F2 & F3	A2 F1 CONNECT F2 & F3	A1 F4 CONNECT F2 & F3
LOW VOLTAGE	A1 F1 & F3	A2 F2 & F4	A2 F1 & F3	A1 F2 & F4

NOTES:

1. LIMIT STARTING INRUSH CURRENT TO NOT MORE THAN 3 TIMES RATED AMPERES BY ENERGIZING THE FULL SHUNT FIELD BEFORE BRINGING THE ARMATURE VOLTAGE UP SLOWLY OR IN STEPS.
2. OPTIONAL FIELD REOSTAT MAY BE CONNECTED IN SERIES WITH THE SHUNT FIELD.
3. OPTIONAL THERMOSTAT LEADS ARE MARKED J,J.

REV. DESC: NEW, REPLACE CD0860

REV. LTR: - BY: JLP REVISED: 15:35:22 11/03/2004 TDR: 347796

100098000

FILE: AAA00121477 REF: CD0860C01
MTL: -

BALDOR ELECTRIC Co.

DC CONNECTION DIAGRAM, SHUNT FIELD, 6 LEAD, DUAL VOLTAGE

CD0860C01