

BALDOR® • *RELIANCE*

Product Information Packet

CL3510

1HP,1725RPM,1PH,60HZ,56C,3524L,TEFC,F1

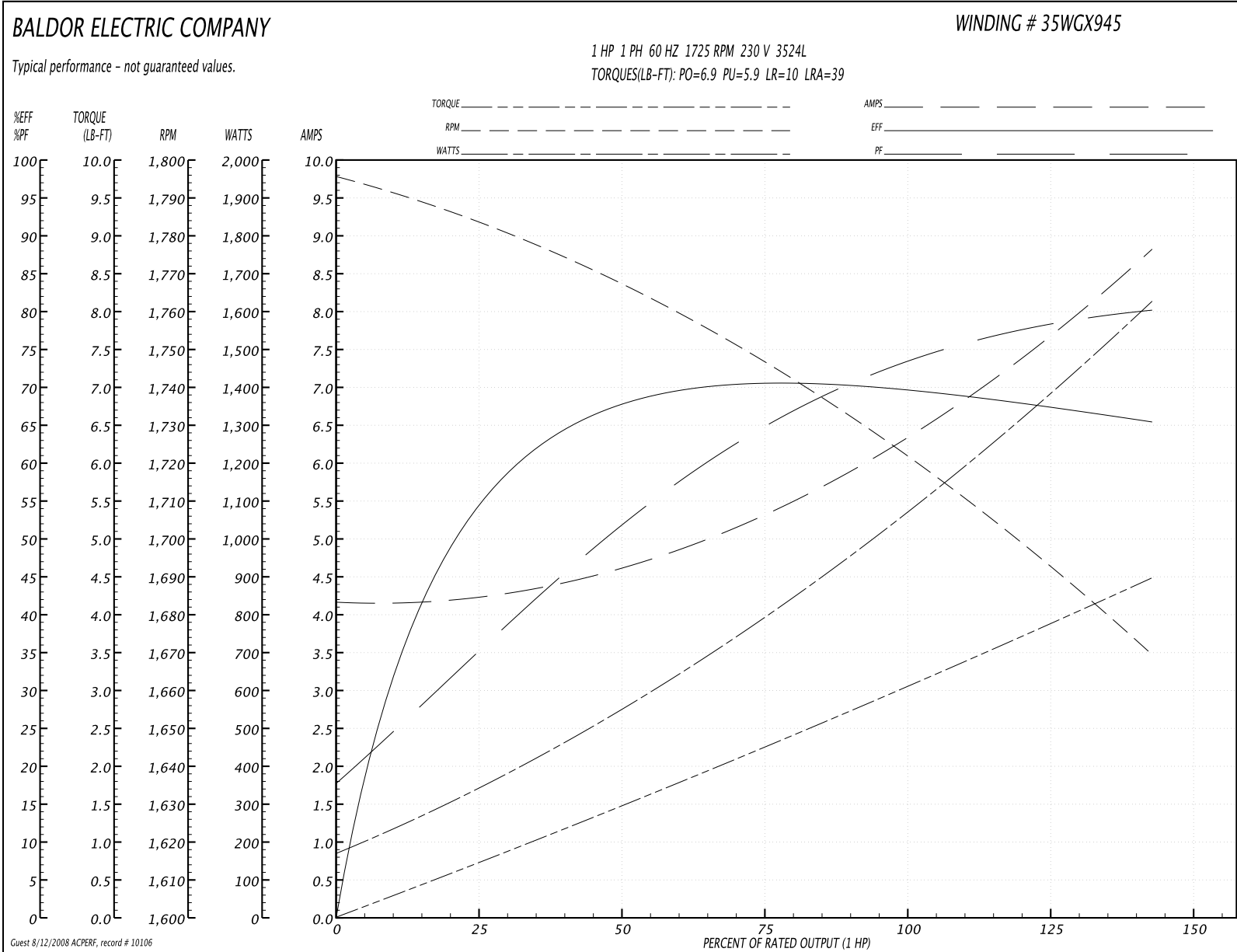
Product Detail							
Revision:	T	Status:	PRD/A	Change #:		Proprietary:	No
Type:	AC	Prod Type:	3524L	Elec. Spec:	35WGX945	CD Diagram:	CD0001
Enclosure	TEFC	Mfg Plant:		Mech Spec:	35C012	Layout:	35LYC012
Frame:	56C	Mounting:	F1	Poles:	04	Created Date:	
Base:	RG	Rotation:	R	Insulation:	B	Eff. Date:	04-25-2007
Leads:	6#18					Replaced By:	
Nameplate NP1256L							
CAT.NO.	CL3510						
SPEC.	35C12X945						
HP	1						
VOLTS	115/230						
AMP	12.8/6.4						
RPM	1725						
FRAME	56C	HZ	60	PH	1		
SER.F.	1.15	CODE	K	DES	L	CLASS	B
NEMA-NOM-EFF	67	PF	73				
RATING	40C AMB-CONT						
CC		USABLE AT 208V	7				
DE	6205	ODE	6203				
ENCL	TEFC	SN					

Parts List			
Product ID	Description	Quantity	List Price
SA022562	SA 35C12X945	1.000	276.00
RA018612	RA 35C12X945	1.000	220.00
EC1645A06SP	ELEC CAP, 645-774 MFD, 125V, 2.06D X 4.	1.000	31.00
NS2512A01	INSULATOR, CONDUIT BOX X X	1.000	2.00
35CB3007	35 CB CASTING W/.88 DIA. LEAD HOLE	1.000	27.00
36GS1000SP	GASKET-CONDUIT BOX, .06 THICK #SV-330 LE	1.000	5.00
51XB1016A07	10-16 X 7/16 HXWSSLD SERTYB	2.000	2.00
11XW1032G06	10-32 X .38, TAPTITE II, HEX WSHR SLTD U	1.000	2.00
51XW0832A07	8-32 X .44, TAPTITE II, HEX WSHR SLTD SE	2.000	2.00
35EP3100M02	FREP TEFC 203 BRG W/O GR SR (RAISED FH MT	1.000	28.00
NS2501A01	INSULATOR, CAPACITOR X	1.000	2.00
51XB1016A05	10-16X5/16HX WA SL SR TYB (F/S)	2.000	2.00
HW5100A03SP	WAVY WASHER (W1543-017)	1.000	2.00
35EP3300A33	SPL FACE MTD EP -ENCL-205 BRG	1.000	80.00
51XN1032A20	10-32 X 1 1/4 HX WS SL SR	2.000	2.00
35FN3002A05SP	EXTERNAL FAN, PLASTIC, FOR .637 DIA JOUR	1.000	22.00
51XB1214A16	12-14X1.00 HXWSSLD SERTYB	1.000	2.00
35FH4005A32SP	IEC FH NO GR SR W/3 HOLES - W/AUTOPHERETI	1.000	23.00
51XW1032A06	10-32 X .38, TAPTITE II, HEX WSHR SLTD S	3.000	3.00
35CB4510	35 CB LID	1.000	2.00
35GS1030	35 GS FOR CB LID - LEXIDE	1.000	2.00
51XW0832A07	8-32 X .44, TAPTITE II, HEX WSHR SLTD SE	4.000	2.00
HW2501D13SP	KEY, 3/16 SQ X 1.375	1.000	2.00
HA7000A04	KEY RETAINER 0.625 DIA SHAFTS	1.000	2.00

Parts List (continued)			
Product ID	Description	Quantity	List Price
10XF0440S02	04-40 X 1/8 TYPE F HEX HD STAINLESS STIC	2.000	2.00
WD1000A15	3-520132-2 AMP FLAG (4M/RL NON-CANC/NON-	2.000	2.00
MJ1000A02	GREASE, POLYREX EM EXXON	0.050	10.00
MG1000G27	PAINT- S9282E CHARCOAL GREY	0.017	4,000.00
SP5055A67	MODEL 35 TYPE L STATIONARY SWITCH LEAD A	1.000	24.00
35CB4802A02SP	CAPACITOR COVER, STAMPED X W/AUTOPHORET	1.000	16.00
35GS3001A02	GASKET, CA.COVER, 5.38 LONG .06 CS301	1.000	4.00
HA3100A15	THRUBOLT 10-32 X 8.375	4.000	2.00
LB1125C01	STD (STOCK) CARTON LABEL BALDOR WITH FLA	1.000	2.00
LC0001A01	CONN LABEL / WARNING LABEL (LC0001 / LB1	1.000	2.00
NP1256L	NP STD LASER ENGRAVED, UL CSA CC, W/O TH	1.000	3.00
35PA1066	PACKING GROUP COMBINED PRINT	1.000	13.00

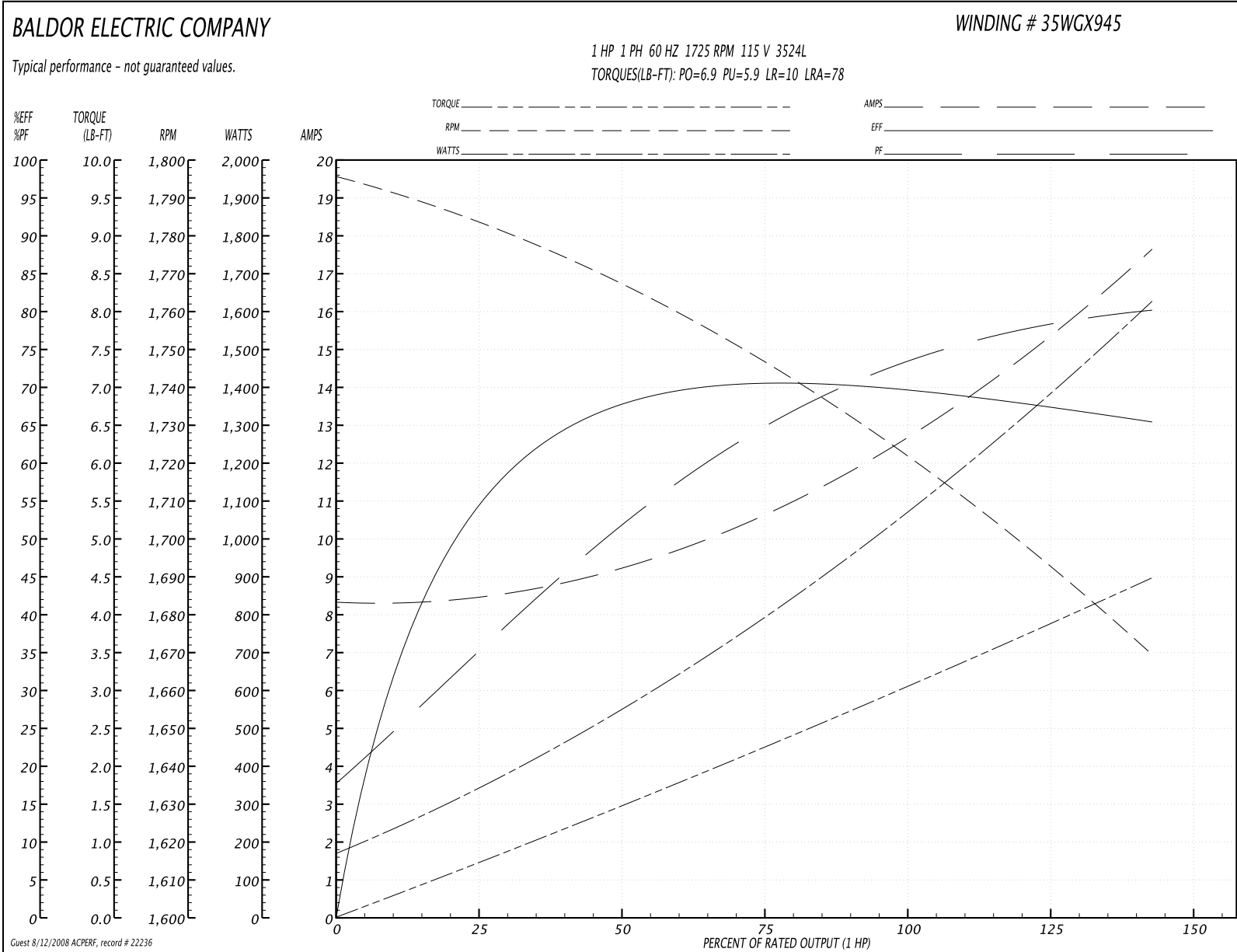
Performance Data at 230V, 60Hz, 1.0HP (Typical performance - Not guaranteed values)							
General Characteristics							
Full Load Torque:	3.0 LB-FT			Start Configuration:	DOL		
No-Load Current:	4.1 Amps			Break-Down Torque:	6.9 LB-FT		
Line-line Res. @ 25°C.:	2.6 Ohms A Ph / 1.8 Ohms B Ph			Pull-Up Torque:	5.9 LB-FT		
Temp. Rise @ Rated Load:	79°C			Locked-Rotor Torque:	10.0 LB-FT		
Temp. Rise @ S.F. Load:	96°C			Starting Current:	39.0 Amps		
Load Characteristics							
% of Rated Load:	25	50	75	100	125	150	S.F.
Power Factor:	39.0	53.0	67.0	75.0	81.0	84.0	79.0
Efficiency:	52.9	67.6	70.0	70.3	68.6	64.9	69.3
Speed:	1781.0	1765.0	1746.0	1726.0	1701.0	1666.0	1711.0
Line Amperes:	4.3	4.7	5.3	6.2	7.4	8.9	6.9

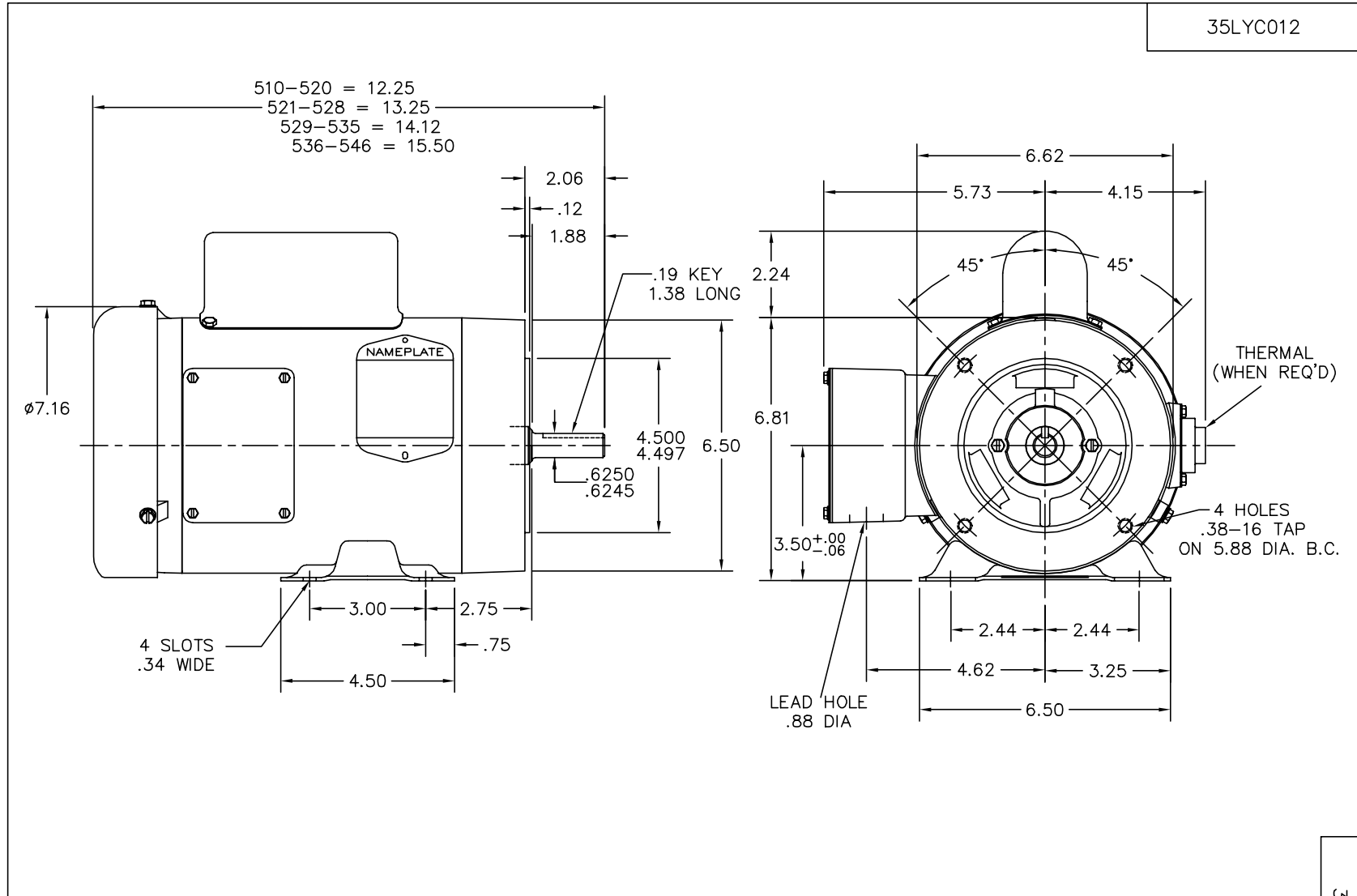
Performance Graph at 230V, 60Hz, 1.0HP (Typical performance - Not guaranteed values)



Performance Data at 115V, 60Hz, 1.0HP (Typical performance - Not guaranteed values)							
General Characteristics							
Full Load Torque:	3.0 LB-FT			Start Configuration:	DOL		
No-Load Current:	8.2 Amps			Break-Down Torque:	6.9 LB-FT		
Line-line Res. @ 25°C.:	0.65 Ohms A Ph / 1.8 Ohms B Ph			Pull-Up Torque:	5.9 LB-FT		
Temp. Rise @ Rated Load:	79°C			Locked-Rotor Torque:	10.0 LB-FT		
Temp. Rise @ S.F. Load:	96°C			Starting Current:	78.0 Amps		
Load Characteristics							
% of Rated Load:	25	50	75	100	125	150	S.F.
Power Factor:	39.0	53.0	67.0	75.0	81.0	84.0	79.0
Efficiency:	52.9	67.6	70.0	70.3	68.6	64.9	69.3
Speed:	1781.0	1765.0	1746.0	1726.0	1701.0	1666.0	1711.0
Line Amperes:	8.6	9.4	10.6	12.4	14.8	17.8	13.8

Performance Graph at 115V, 60Hz, 1.0HP (Typical performance - Not guaranteed values)





CUSTOMER IS RESPONSIBLE FOR DETERMINING THAT MOTOR PERFORMANCE IS SUITABLE IN THE APPLICATION.

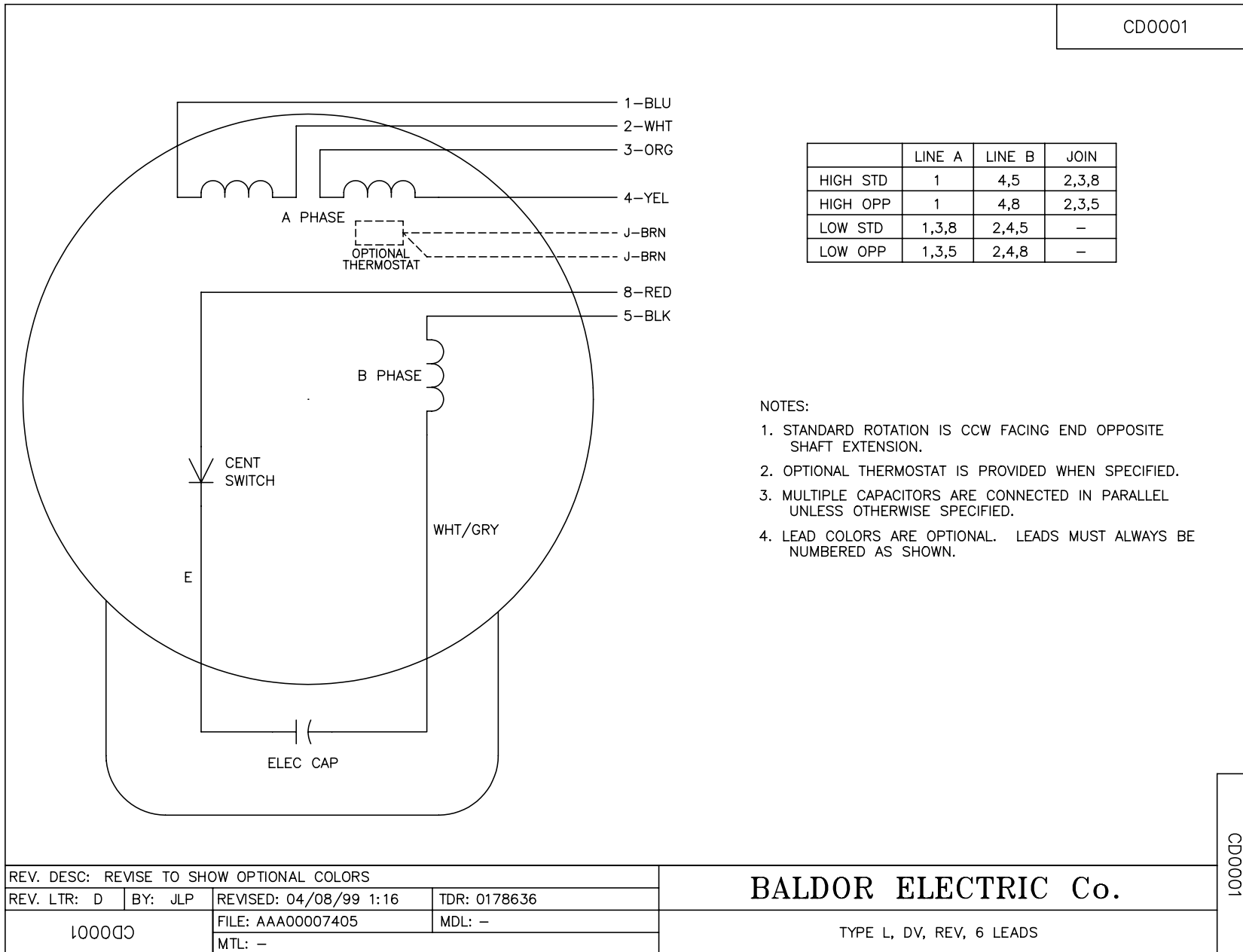
REV. DESC: UPDATE FREP AND FH PER CHG ON TDR 349780		
REV. LTR: J	VERSION: 01	TDR: 000000349916
35LYC012	FILE: \AAA\00002\449	REVISED: 10:38:38 08/08/2005
	MTL: -	BY: ENODIDO

BALDOR ELECTRIC Co.

STD FACE MTD HORZ 56C TEFC 35L

35LYC012

CD0001



NOTES:

1. STANDARD ROTATION IS CCW FACING END OPPOSITE SHAFT EXTENSION.
2. OPTIONAL THERMOSTAT IS PROVIDED WHEN SPECIFIED.
3. MULTIPLE CAPACITORS ARE CONNECTED IN PARALLEL UNLESS OTHERWISE SPECIFIED.
4. LEAD COLORS ARE OPTIONAL. LEADS MUST ALWAYS BE NUMBERED AS SHOWN.

REV. DESC: REVISE TO SHOW OPTIONAL COLORS			
REV. LTR: D	BY: JLP	REVISED: 04/08/99 1:16	TDR: 0178636
100000		FILE: AAA00007405	MDL: -
		MTL: -	

BALDOR ELECTRIC Co.

TYPE L, DV, REV, 6 LEADS

CD0001