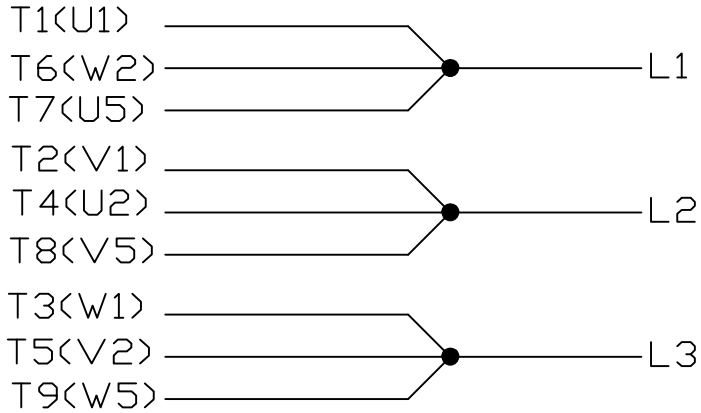
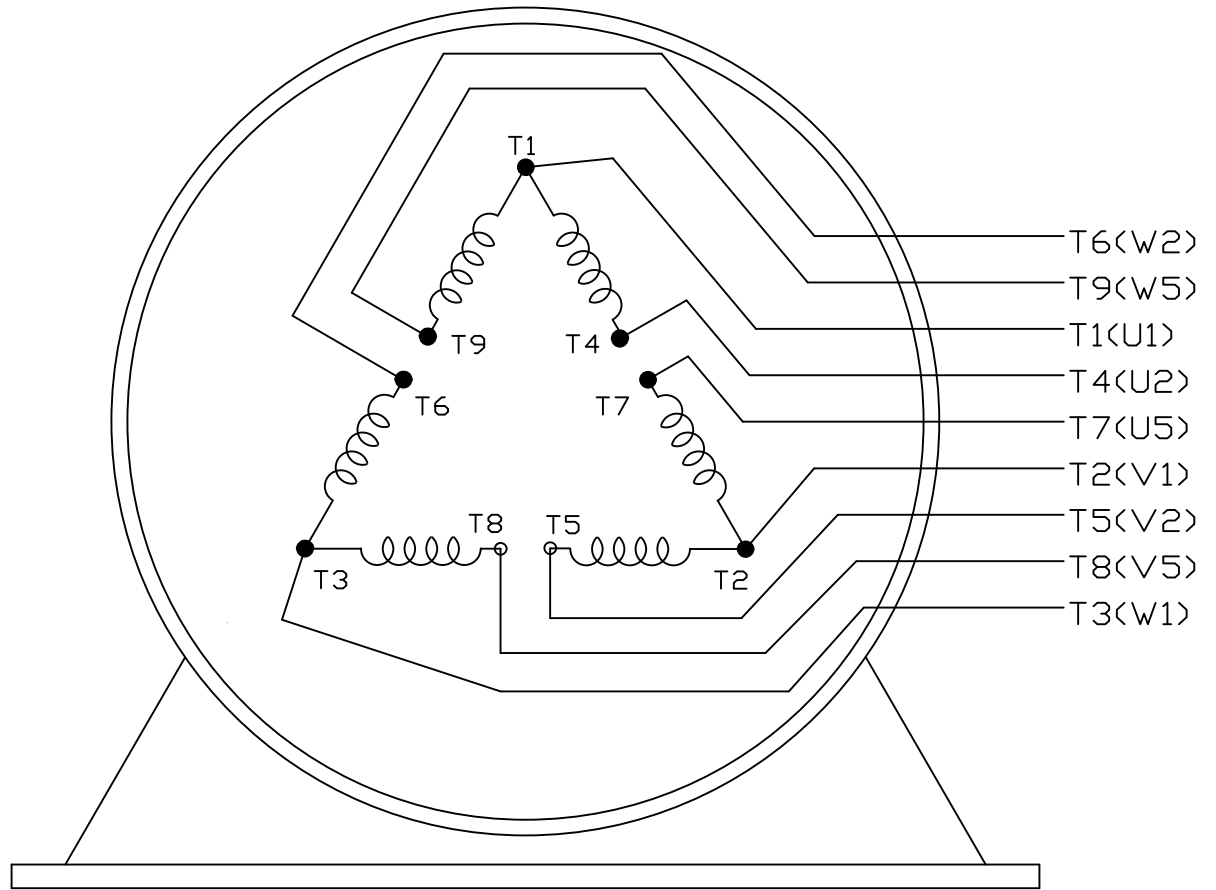
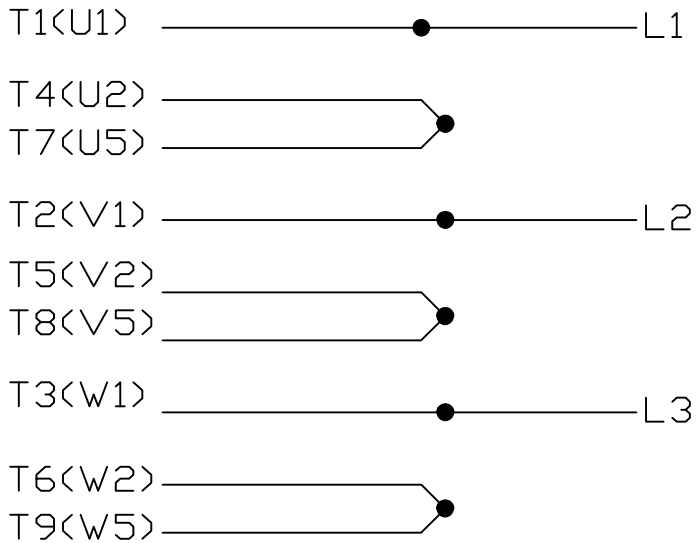


LOW VOLTAGE

EE7308K



HIGH VOLTAGE



VIEW OF TERMINAL END

			TOLERANCES UNLESS SPECIFIED		MARATHON ELECTRIC	DRAWN PGK 06-04-1997
			DEC.	INCHES		CHK ML 06-05-1997
			.X	±.1		APPD GK 06-15-1997
8	ADDED IEC DESIGNATIONS MU95020	TJW 4/30/2010	MJS .XX	±.02	TITLE CONNECTION DIAGRAM	SCALE
7	REVISD HIGH VOLTAGE L2 WAS L3 CN52600-354	MRB 09-21-1998	.XXX	±.005	DELTA CON. - 3Ø - 9 LEADS	REF
6	REDRAWN ON CADD	PGK 06-05-1997	.XXXX	±.0005	MAT'L.	FMF
NO.	REVISION	BY & DATE	CHK ANG	±7'30"	FINISH	PREV
THIS DRAWING IN DESIGN AND DETAIL IS OUR PROPERTY AND MUST NOT BE USED EXCEPT IN CONNECTION WITH OUR WORK ALL RIGHTS OF DESIGN AND INVENTION ARE RESERVED THIS IS AN ELECTRONICALLY GENERATED DOCUMENT - DO NOT SCALE THIS PRINT			RFP	CAD FILE ee7308k		SIZE A
			DIST WP			DRAWING NO. EE7308K
					PAGE 8	REV. 8