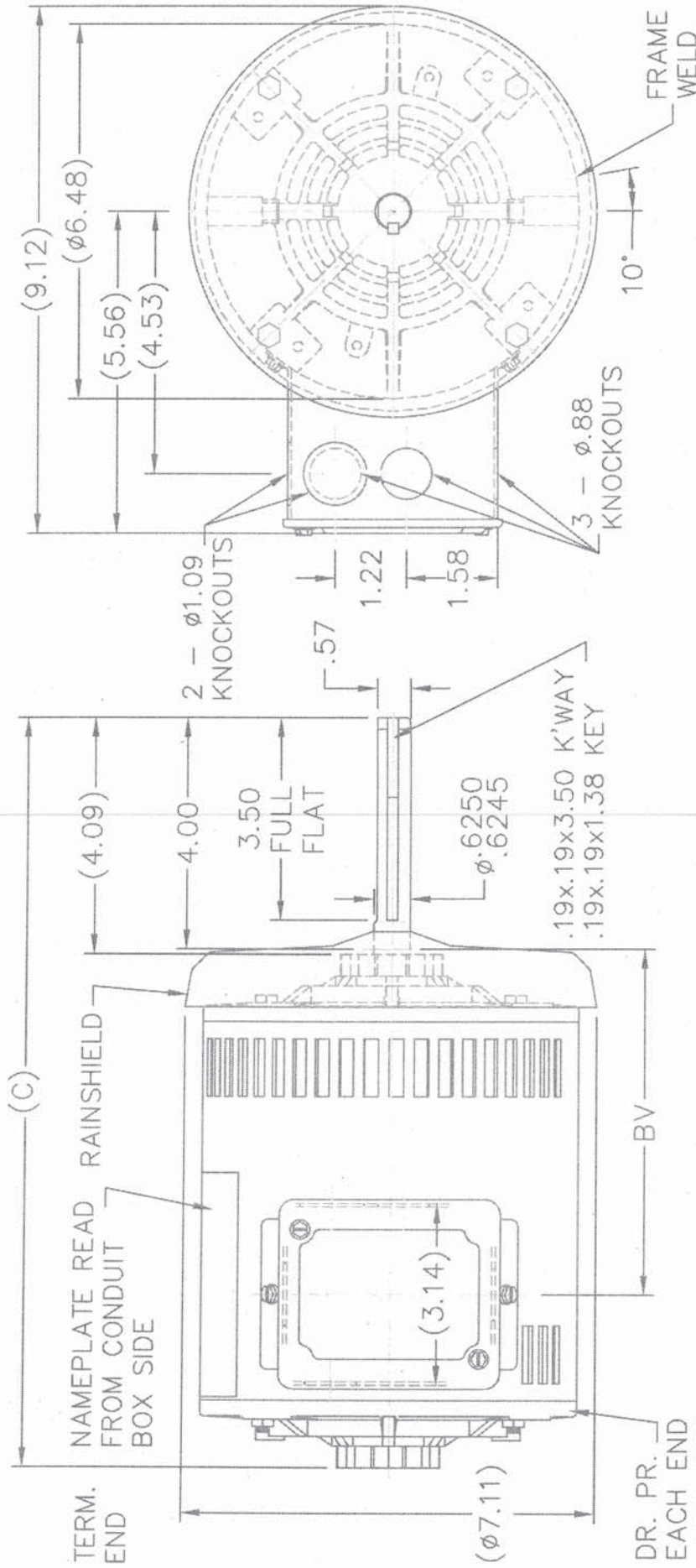


104109



DASH	FR.	C	BV	DASH	FR.	C	BV
656	56-65	12.97	5.97	856	56-85	14.97	7.97
706	" -70	13.47	6.47	906	" -90	15.47	8.47
756	" -75	13.97	6.97	956	" -95	15.97	8.97
806	" -80	14.47	7.47				

TOLERANCES UNLESS SPECIFIED		ET	
DEC.	INCHES	DEC.	INCHES
.X	±.1		
.XX	±.03		
.XXX	±.005		
.XXXX	±.0005		
ANG	±7'30"	CHK	ANG



TITLE OUTLINE

REF	3=8
FMF	
PREV	
CAD FILE	104109
SIZE	A
DRAWING NO.	104109
PAGE	OF
REV.	5

DRAWN BRH	04-12-1996
CHK ML	04-17-1996
APPD RJM	04-17-1996
SCALE	3=8

THIS DRAWING IN DESIGN AND DETAIL IS OUR PROPERTY AND MUST NOT BE USED EXCEPT IN CONNECTION WITH OUR WORK. ALL RIGHTS OF DESIGN AND INVENTION ARE RESERVED. THIS IS AN ELECTRONICALLY GENERATED DOCUMENT - DO NOT SCALE THIS PRINT

9/27/2008 8:33:48 AM