

# Dimensions

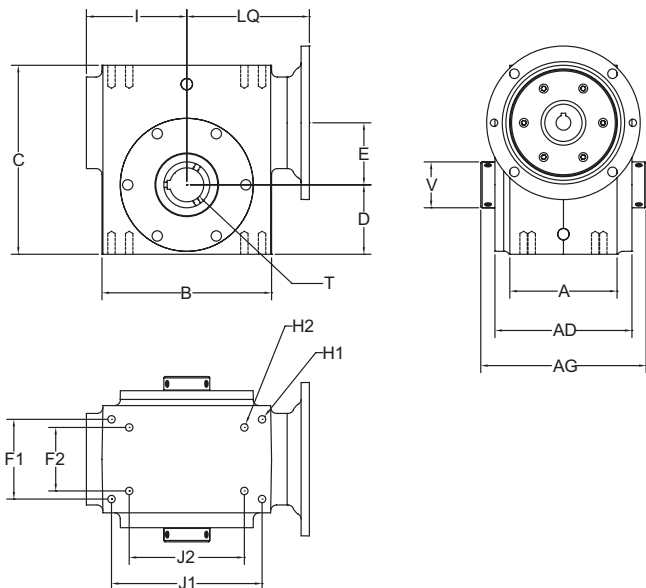
## HMQ Style

	A	AD	B	C	D	E	F1	F2	H1	H2	I	J1	J2	LQ (56C/ 140TC)	LQ (180TC)	T MAX	T KWY	V	AG
<b>13</b>	2.82	3.69	3.80	4.66	1.72	1.333	2.00	N/A	5/16-18	N/A	2.38	3.25	N/A	3.48	N/A	0.625	3/16 x 3/32	1.00	4.75
<b>15</b>	3.44	4.40	4.88	5.38	1.91	1.540	2.75	N/A	5/16-18	N/A	2.91	4.19	N/A	4.01	N/A	0.625	3/16 x 3/32	1.00	5.42
<b>18</b>	3.32	4.40	5.06	5.75	2.06	1.750	2.75	1.63	5/16-18	1/4-20	3.01	4.19	3.13	4.11	N/A	1.000	1/4 x 1/8	1.44	5.50
<b>21</b>	3.60	4.78	5.80	6.38	2.28	2.063	3.00	2.00	5/16-18	5/16-18	3.38	4.75	4.00	4.48	N/A	1.500	3/8 x 3/16	1.94	6.00
<b>24</b>	4.06	4.97	6.12	6.94	2.50	2.375	2.88	N/A	3/8-16	N/A	3.69	5.00	N/A	4.63	5.24	1.500	3/8 x 3/16	1.94	6.00
<b>26</b>	4.54	5.80	7.25	8.00	2.94	2.625	3.38	2.69	3/8-16	3/8-16	4.25	6.38	4.88	5.19	5.80	1.500	3/8 x 3/16	1.94	7.00
<b>32</b>	5.45	6.80	8.50	9.38	3.50	3.250	4.00	2.75	7/16-14	1/2-13	4.94	7.50	6.25	5.88	6.49	2.188	1/2 x 1/4	2.75	7.88

## BMQ Style

	A	AD	B	C	D	E	F1	F2	H1	H2	I	J1	J2	LQ (56C/ 140TC)	LQ (180TC)	N	O/P Key	T
<b>13</b>	2.82	3.69	3.80	4.66	1.72	1.333	2.00	N/A	5/16-18	N/A	2.38	3.25	N/A	3.48	N/A	4.00	3/16 x 1.75	0.625
<b>15</b>	3.44	4.40	4.88	5.38	1.91	1.540	2.75	N/A	5/16-18	N/A	2.91	4.19	N/A	4.01	N/A	4.31	3/16 x 1.75	0.750
<b>18</b>	3.32	4.40	5.06	5.75	2.06	1.750	2.75	1.63	5/16-18	1/4-20	3.01	4.19	3.13	4.11	N/A	4.31	3/16 x 1.38	0.875
<b>21</b>	3.60	4.78	5.80	6.38	2.28	2.063	3.00	2.00	5/16-18	5/16-8	3.38	4.75	4.00	4.48	N/A	4.68	1/4 x 1.45	1.000
<b>24</b>	4.06	4.97	6.12	6.94	2.50	2.375	2.88	N/A	3/8-16	N/A	3.69	5.00	N/A	4.63	5.24	5.14	1/4 x 1.75	1.125
<b>26</b>	4.54	5.80	7.25	8.00	2.94	2.625	3.38	2.69	3/8-16	3/8-16	4.25	6.38	4.88	5.19	5.80	5.63	1/4 x 2.00	1.250
<b>32</b>	5.45	6.80	8.50	9.38	3.50	3.250	4.00	2.75	7/16-14	1/2-13	4.94	7.50	6.25	5.88	6.49	7.06	3/8 x 2.63	1.500

## HMQ Style



## BMQ Style

